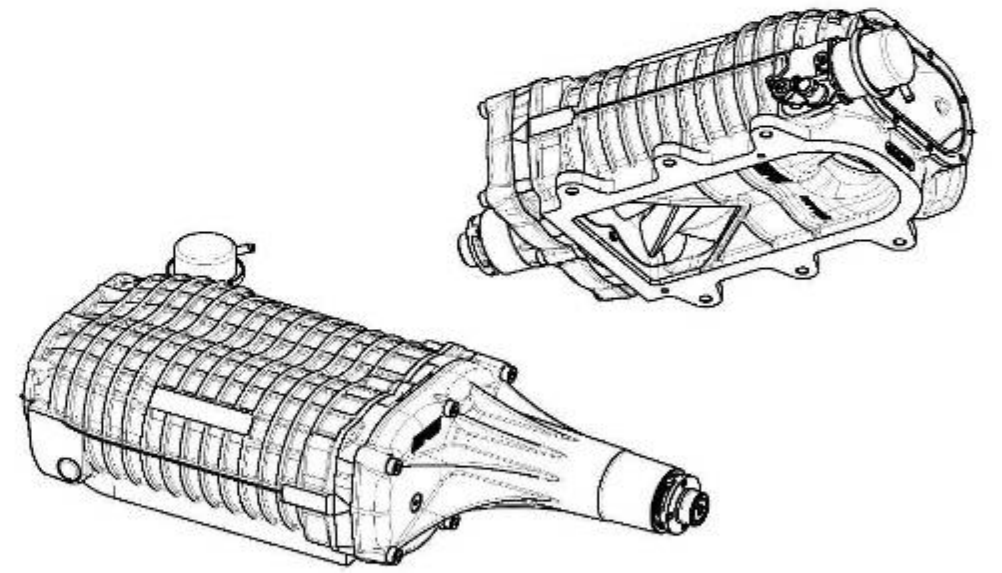


NUMBER	DESCRIPTION	INPUT (mm)	INPUT (in)
A9102	SUPERCHARGER, HTV1900, AXIAL, FACE MOUNT, VERTICAL ACTUATOR, 107.8mm DRIVE, CW	107.8	4.24
A9103	SUPERCHARGER, HTV1900, AXIAL, FACE MOUNT, VERTICAL ACTUATOR, 107.8mm DRIVE, CCW	107.8	4.24
A9104	SUPERCHARGER, HTV1900, AXIAL, FACE MOUNT, VERTICAL ACTUATOR, 140.9mm DRIVE, CW	140.9	5.55
A9105	SUPERCHARGER, HTV1900, AXIAL, FACE MOUNT, VERTICAL ACTUATOR, 140.9mm DRIVE, CCW	140.9	5.55
A9106	SUPERCHARGER, HTV1900, AXIAL, FACE MOUNT, VERTICAL ACTUATOR, 172.4mm DRIVE, CW	172.4	6.79
A9107	SUPERCHARGER, HTV1900, AXIAL, FACE MOUNT, VERTICAL ACTUATOR, 172.4mm DRIVE, CCW	172.4	6.79
A9108	SUPERCHARGER, HTV1900, AXIAL, FACE MOUNT, VERTICAL ACTUATOR, 217.6mm DRIVE, CW	217.6	8.57
A9109	SUPERCHARGER, HTV1900, AXIAL, FACE MOUNT, VERTICAL ACTUATOR, 217.6mm DRIVE, CCW	217.6	8.57
A9110	SUPERCHARGER, HTV1900, AXIAL, LUG MOUNT, VERTICAL ACTUATOR, 107.8mm DRIVE, CW	107.8	4.24
A9111	SUPERCHARGER, HTV1900, AXIAL, LUG MOUNT, VERTICAL ACTUATOR, 107.8mm DRIVE, CCW	107.8	4.24
A9112	SUPERCHARGER, HTV1900, AXIAL, LUG MOUNT, VERTICAL ACTUATOR, 140.9mm DRIVE, CW	140.9	5.55
A9113	SUPERCHARGER, HTV1900, AXIAL, LUG MOUNT, VERTICAL ACTUATOR, 140.9mm DRIVE, CCW	140.9	5.55
A9114	SUPERCHARGER, HTV1900, AXIAL, LUG MOUNT, VERTICAL ACTUATOR, 172.4mm DRIVE, CW	172.4	6.79
A9115	SUPERCHARGER, HTV1900, AXIAL, LUG MOUNT, VERTICAL ACTUATOR, 172.4mm DRIVE, CCW	172.4	6.79
A9116	SUPERCHARGER, HTV1900, AXIAL, LUG MOUNT, VERTICAL ACTUATOR, 217.6mm DRIVE, CW	217.6	8.57
A9117	SUPERCHARGER, HTV1900, AXIAL, LUG MOUNT, VERTICAL ACTUATOR, 217.6mm DRIVE, CCW	217.6	8.57
A9118	SUPERCHARGER, HTV1900, AXIAL, FACE MOUNT, HORIZONTAL ACTUATOR, 107.8mm DRIVE, CW	107.8	4.24
A9119	SUPERCHARGER, HTV1900, AXIAL, FACE MOUNT, HORIZONTAL ACTUATOR, 107.8mm DRIVE, CCW	107.8	4.24
A9120	SUPERCHARGER, HTV1900, AXIAL, FACE MOUNT, HORIZONTAL ACTUATOR, 140.9mm DRIVE, CW	140.9	5.55
A9121	SUPERCHARGER, HTV1900, AXIAL, FACE MOUNT, HORIZONTAL ACTUATOR, 140.9mm DRIVE, CCW	140.9	5.55
A9122	SUPERCHARGER, HTV1900, AXIAL, FACE MOUNT, HORIZONTAL ACTUATOR, 172.4mm DRIVE, CW	172.4	6.79
A9123	SUPERCHARGER, HTV1900, AXIAL, FACE MOUNT, HORIZONTAL ACTUATOR, 172.4mm DRIVE, CCW	172.4	6.79
A9124	SUPERCHARGER, HTV1900, AXIAL, FACE MOUNT, HORIZONTAL ACTUATOR, 217.6mm DRIVE, CW	217.6	8.57
A9125	SUPERCHARGER, HTV1900, AXIAL, FACE MOUNT, HORIZONTAL ACTUATOR, 217.6mm DRIVE, CCW	217.6	8.57
A9126	SUPERCHARGER, HTV1900, AXIAL, LUG MOUNT, HORIZONTAL ACTUATOR, 107.8mm DRIVE, CW	107.8	4.24
A9127	SUPERCHARGER, HTV1900, AXIAL, LUG MOUNT, HORIZONTAL ACTUATOR, 107.8mm DRIVE, CCW	107.8	4.24
A9128	SUPERCHARGER, HTV1900, AXIAL, LUG MOUNT, HORIZONTAL ACTUATOR, 140.9mm DRIVE, CW	140.9	5.55
A9129	SUPERCHARGER, HTV1900, AXIAL, LUG MOUNT, HORIZONTAL ACTUATOR, 140.9mm DRIVE, CCW	140.9	5.55
A9130	SUPERCHARGER, HTV1900, AXIAL, LUG MOUNT, HORIZONTAL ACTUATOR, 172.4mm DRIVE, CW	172.4	6.79
A9131	SUPERCHARGER, HTV1900, AXIAL, LUG MOUNT, HORIZONTAL ACTUATOR, 172.4mm DRIVE, CCW	172.4	6.79
A9132	SUPERCHARGER, HTV1900, AXIAL, LUG MOUNT, HORIZONTAL ACTUATOR, 217.6mm DRIVE, CW	217.6	8.57
A9133	SUPERCHARGER, HTV1900, AXIAL, LUG MOUNT, HORIZONTAL ACTUATOR, 217.6mm DRIVE, CCW	217.6	8.57



REMOVE ALL SHARP EDGES AND BURRS UNLESS OTHERWISE STATED. ALL INTERNAL CORNERS TO BE R0.8 UNLESS OTHERWISE STATED.

MADE - kg Ref. S.6.1

REV	DATE	BY	CHK	APP	DESCRIPTION
0					FOR PRODUCTION

**HARROP engineering**

HARROP ENGINEERING AUSTRALIA PTY. LTD.  
96 BELL ST  
PRESTON, 3072  
VICTORIA, AUSTRALIA  
Ph: (0813) 9474-0900  
Fax: (0813) 9474-0999

COPYRIGHT APPLIES  
Reproduction of this drawing  
in any specific design  
without written authority  
is prohibited. Drawings  
are issued for reference  
to assembly only.

UNSTATED TOLERANCES  
DIMENSIONS: 0 ± 0.25  
0.0 ± 0.1  
0.00 ± 0.05  
ANGLES: 0.0 ± 0.2  
0.00 ± 0.05

**SUPERCHARGERS, HTV1900, AXIAL, VARIANTS, LAYOUT**

FILE: harrop/superchargers/HTV1900/SCHRG2R-1TV19A VARIANTS A9101.DWG  
DRAWING: A9101-00

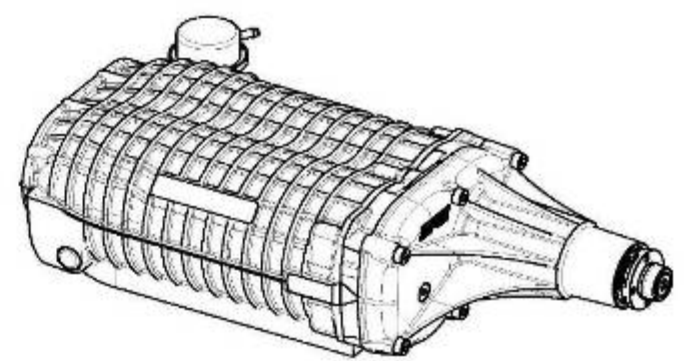
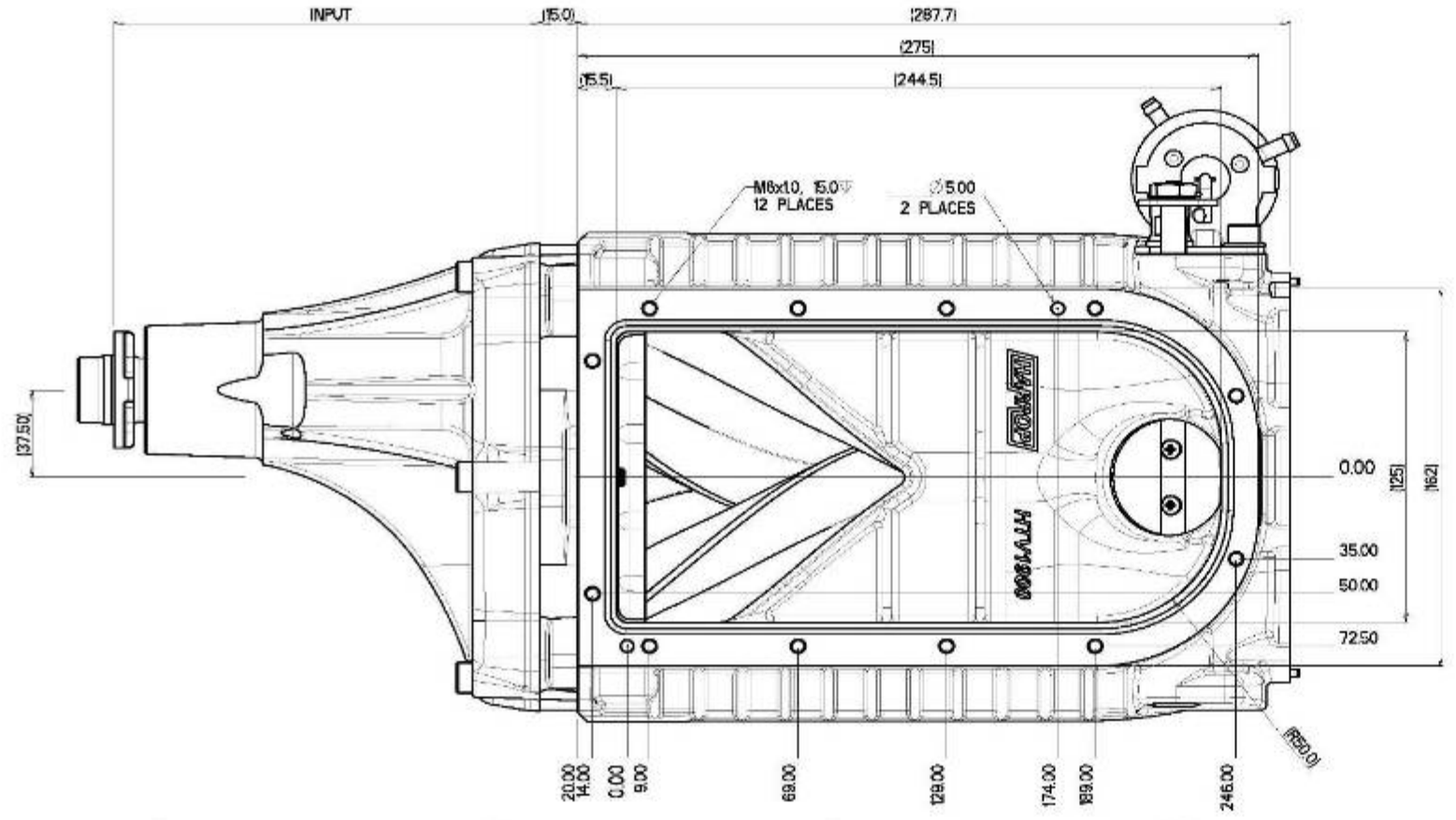
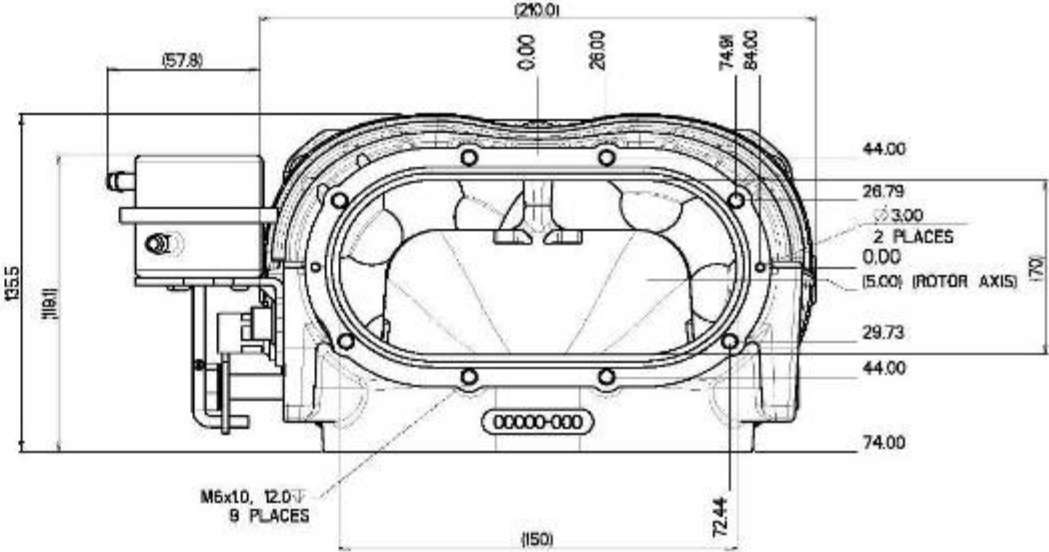
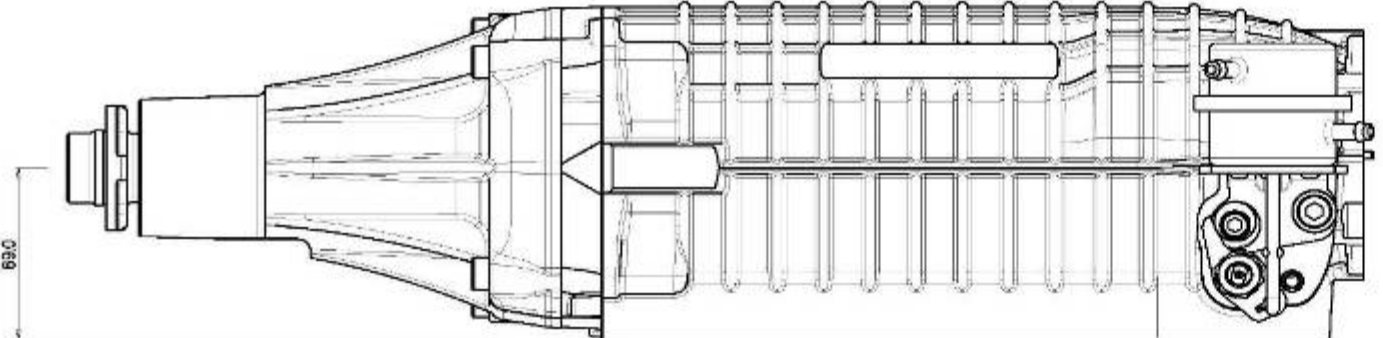
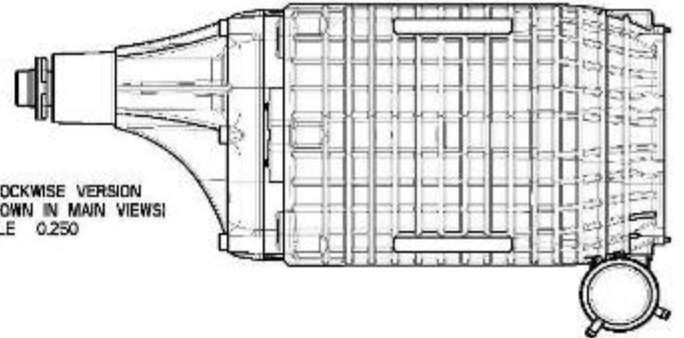
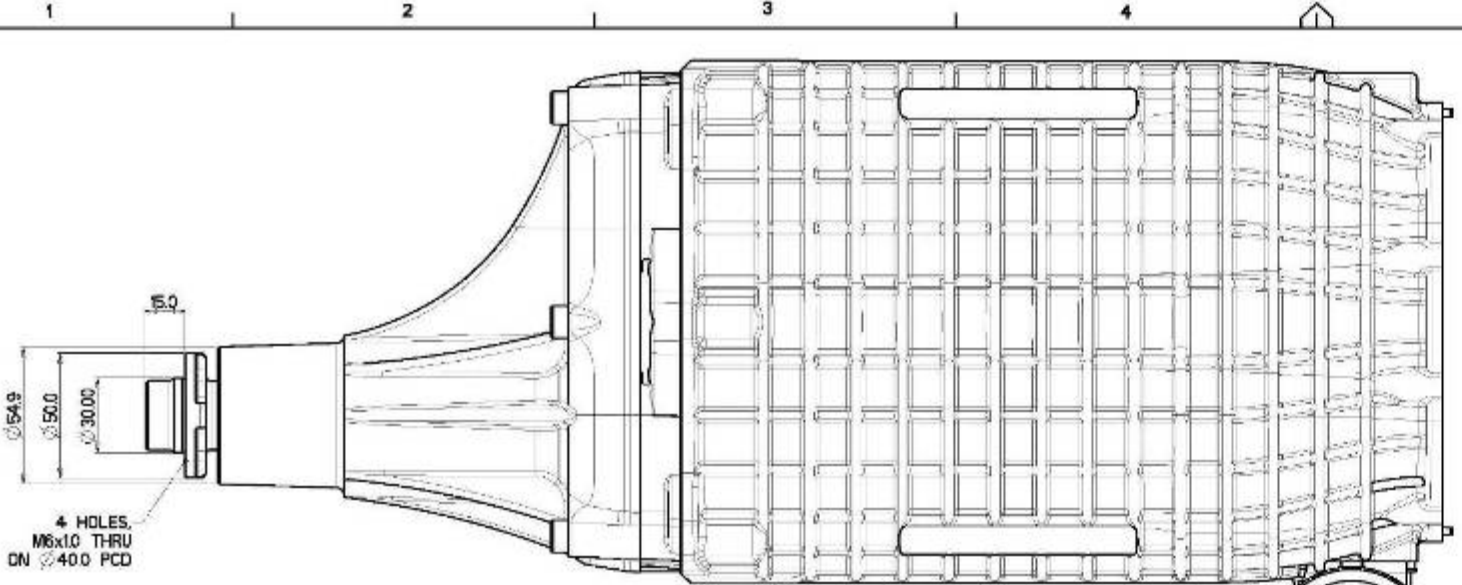
DATE: 05/08/07  
SHEET 1 OF 5

A9101-00

NUMBER	DESCRIPTION	DEPTH (mm)	WIDTH (mm)
A9102	SUPERCHARGER, HTV1900, AXIAL, FACE-MOUNT, VERTICAL ACTUATOR, 107.8mm DRMS, CCW	107.8	4.24
A9103	SUPERCHARGER, HTV1900, AXIAL, FACE-MOUNT, VERTICAL ACTUATOR, 107.8mm DRMS, CCW	107.8	4.24
A9104	SUPERCHARGER, HTV1900, AXIAL, FACE-MOUNT, VERTICAL ACTUATOR, 140.9mm DRMS, CCW	140.9	5.58
A9105	SUPERCHARGER, HTV1900, AXIAL, FACE-MOUNT, VERTICAL ACTUATOR, 140.9mm DRMS, CCW	140.9	5.58
A9106	SUPERCHARGER, HTV1900, AXIAL, FACE-MOUNT, VERTICAL ACTUATOR, 172.4mm DRMS, CCW	172.4	6.79
A9107	SUPERCHARGER, HTV1900, AXIAL, FACE-MOUNT, VERTICAL ACTUATOR, 172.4mm DRMS, CCW	172.4	6.79
A9108	SUPERCHARGER, HTV1900, AXIAL, FACE-MOUNT, VERTICAL ACTUATOR, 217.6mm DRMS, CCW	217.6	8.57
A9109	SUPERCHARGER, HTV1900, AXIAL, FACE-MOUNT, VERTICAL ACTUATOR, 217.6mm DRMS, CCW	217.6	8.57

INLET FLANGE O-RING: AS/BSI59  
 OUTLET FACE O-RING: AS/BSI74

COUNTER-CLOCKWISE VERSION  
 (CLOCKWISE SHOWN IN MAIN VIEWS)  
 SCALE 0.250



REMOVE ALL SHARP EDGES AND BURRS UNLESS OTHERWISE STATED  
 ALL INTERNAL CORNERS TO BE ROB UNLESS OTHERWISE STATED

REV	DESCRIPTION	DATE	BY	CHK	DATE
0	FOR PRODUCTION	14-Aug-07			

**HARROP ENGINEERING AUSTRALIA PTY. LTD.**  
 56 BELL ST  
 PRESTON, 3072  
 VICTORIA, AUSTRALIA  
 Ph: +613 9474-0900  
 Fax: +613 9474-0999

**HARROP engineering**

COPYRIGHT APPLIES  
 Application of this drawing  
 to any specific design  
 without written authority  
 is prohibited and constitutes  
 a breach of copyright.

UNSTATED TOLERANCES  
 LINEAR: 0.10 ± 0.25  
 ANGULAR: 0.00 ± 0.25  
 SURFACE: 1.0 ± 0.15  
 HOLE: 0.00 ± 0.25

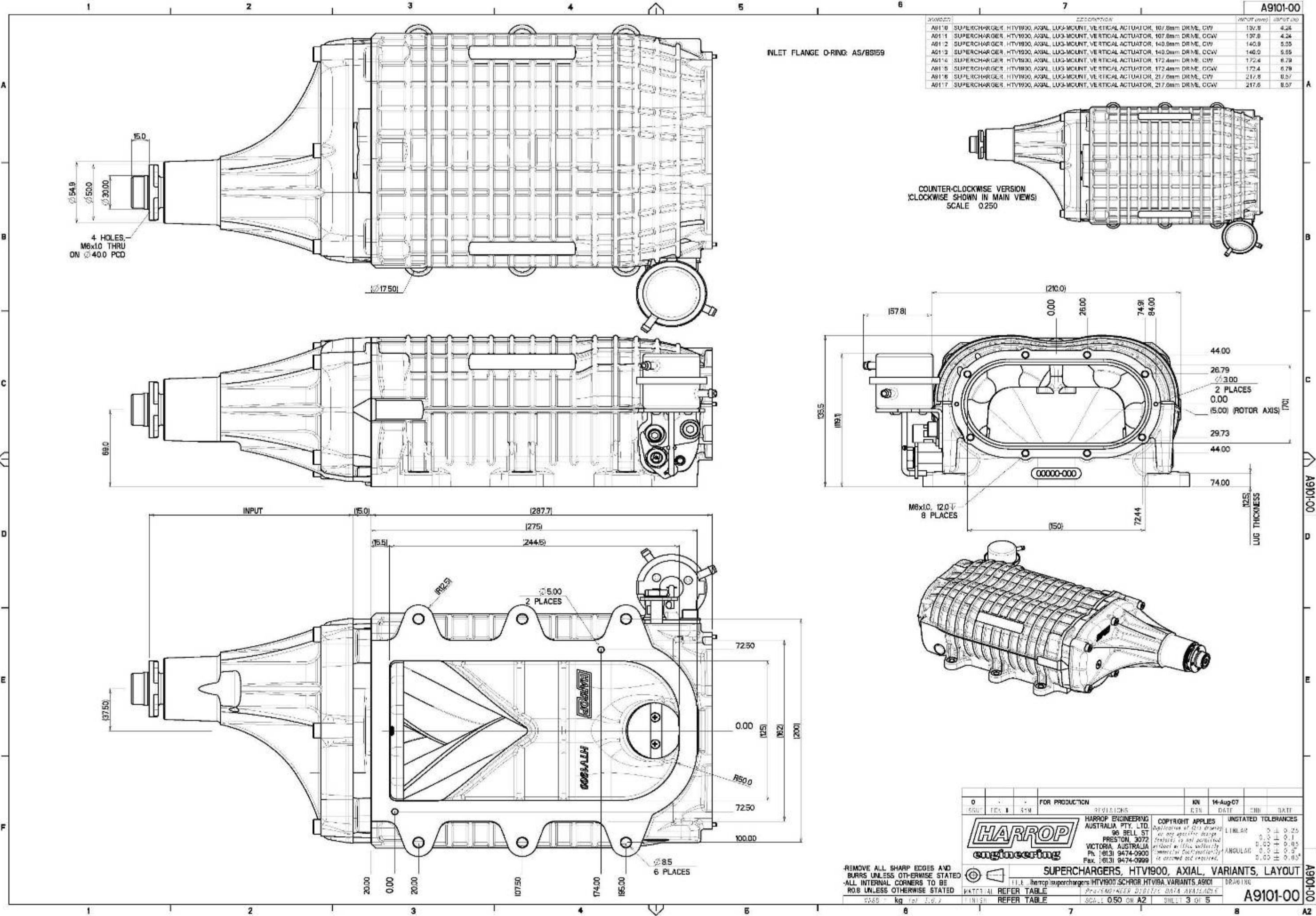
**SUPERCHARGERS, HTV1900, AXIAL, VARIANTS, LAYOUT**

FILE: harrop-superchargers-HTV1900-SCH-RGR-HTV1900-VARIANTS-A9101  
 DRAWING: A9101-00  
 SHEET 2 OF 5

ITEM NO.	DESCRIPTION	QTY	UNIT
A9110	SUPERCHARGER, HTV1900, AXIAL, LUG-MOUNT, VERTICAL ACTUATOR, 107.8mm DRME, CW	107.8	4.24
A9111	SUPERCHARGER, HTV1900, AXIAL, LUG-MOUNT, VERTICAL ACTUATOR, 107.8mm DRME, CCW	107.8	4.24
A9112	SUPERCHARGER, HTV1900, AXIAL, LUG-MOUNT, VERTICAL ACTUATOR, 140.0mm DRME, CW	140.0	5.55
A9113	SUPERCHARGER, HTV1900, AXIAL, LUG-MOUNT, VERTICAL ACTUATOR, 140.0mm DRME, CCW	140.0	5.55
A9114	SUPERCHARGER, HTV1900, AXIAL, LUG-MOUNT, VERTICAL ACTUATOR, 172.4mm DRME, CW	172.4	6.79
A9115	SUPERCHARGER, HTV1900, AXIAL, LUG-MOUNT, VERTICAL ACTUATOR, 172.4mm DRME, CCW	172.4	6.79
A9116	SUPERCHARGER, HTV1900, AXIAL, LUG-MOUNT, VERTICAL ACTUATOR, 217.6mm DRME, CW	217.6	8.57
A9117	SUPERCHARGER, HTV1900, AXIAL, LUG-MOUNT, VERTICAL ACTUATOR, 217.6mm DRME, CCW	217.6	8.57

INLET FLANGE O-RING: AS/BS159

COUNTER-CLOCKWISE VERSION  
(CLOCKWISE SHOWN IN MAIN VIEWS)  
SCALE: 0.250



REMOVE ALL SHARP EDGES AND  
BURRS UNLESS OTHERWISE STATED  
-ALL INTERNAL CORNERS TO BE  
ROB UNLESS OTHERWISE STATED

REV	DATE	BY	CHKD	APP'D	DESCRIPTION
0	14-Aug-07				FOR PRODUCTION

**HARROP engineering**

HARROP ENGINEERING AUSTRALIA PTY. LTD.  
96 BELL ST  
PRESTON 3072  
VICTORIA, AUSTRALIA  
Ph: (613) 9474-0900  
Fax: (613) 9474-0999

COPYRIGHT APPLIES  
Duplication of this drawing  
or any specific design  
features is not permitted  
without written authority  
Commercial Confidentiality  
is assumed and required.

UNSTATED TOLERANCES  
LINEAR 0.0 ± 0.25  
0.00 ± 0.1  
ANGULAR 0.0 ± 0.5  
0.00 ± 0.05

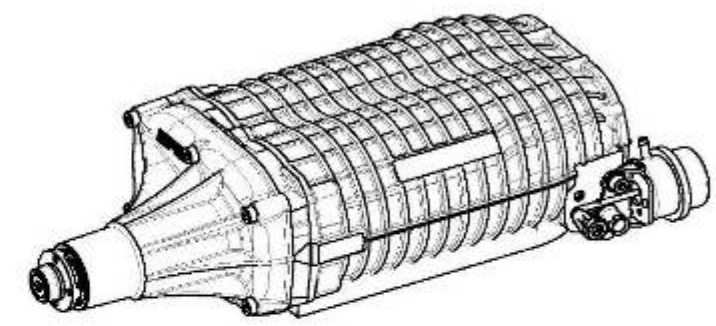
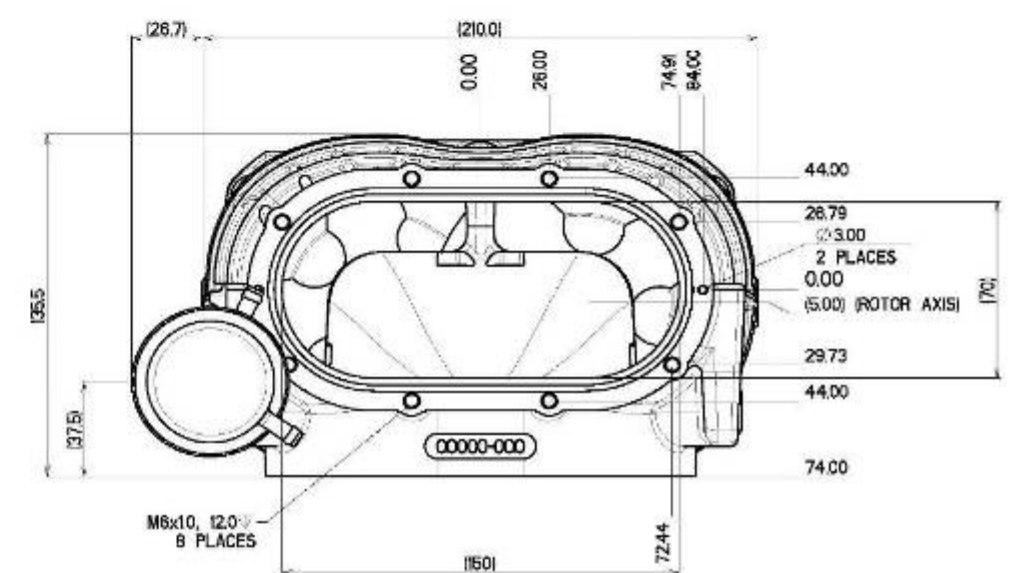
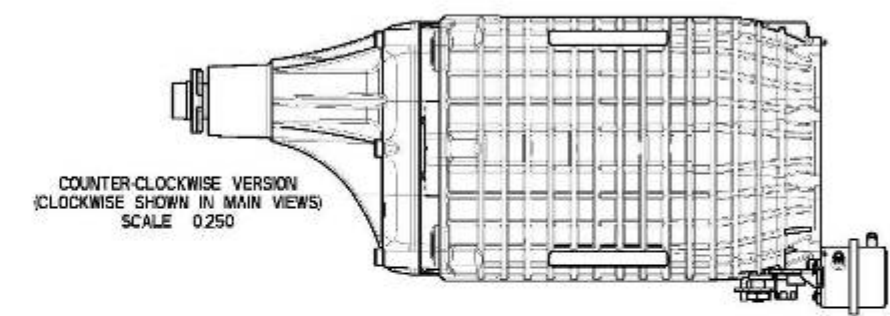
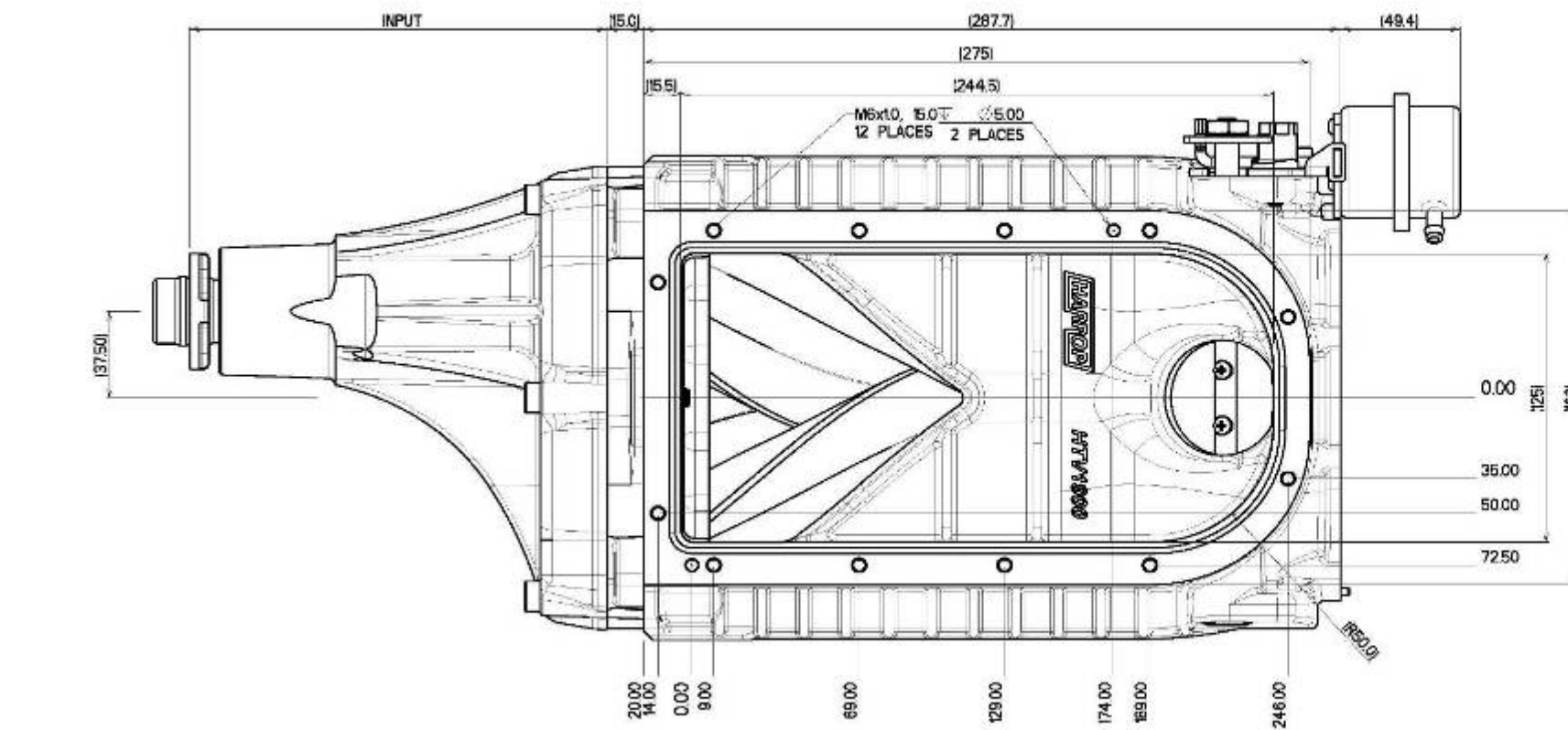
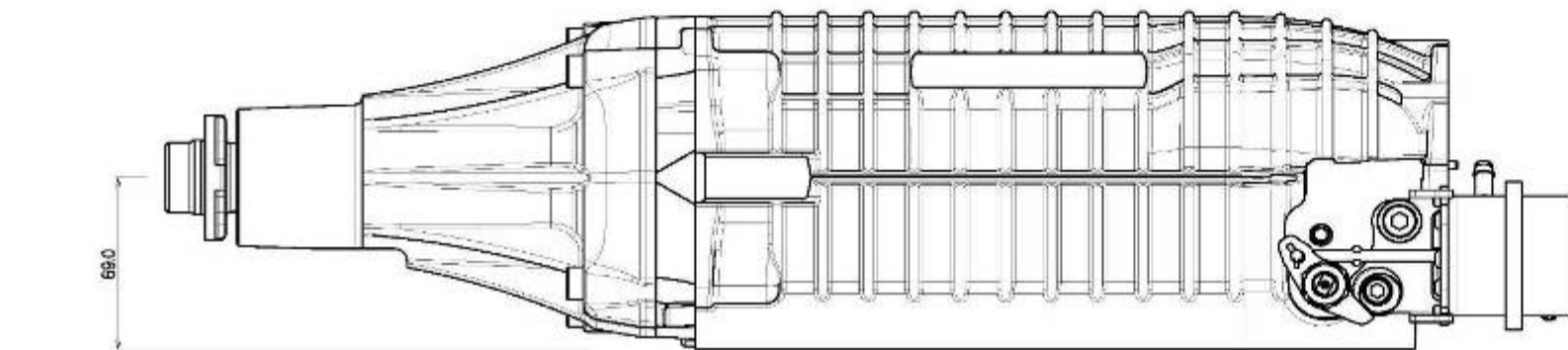
**SUPERCHARGERS, HTV1900, AXIAL, VARIANTS, LAYOUT**

FILE: harrop superchargers HTV1900 SCHRRR HTV1900 VARIANTS.A9101  
DRAWING: A9101-00  
SCALE: 0.50 ON A2  
SHEET 3 OF 5

NUMBER	DESCRIPTION	INPUT (mm)	INPUT (in)
A6118	SUPERCHARGER, HTV1900, AXIAL, FACE-MOUNT, HORIZONTAL ACTUATOR, 107.8mm DRIVE CW	107.8	4.24
A6119	SUPERCHARGER, HTV1900, AXIAL, FACE-MOUNT, HORIZONTAL ACTUATOR, 107.8mm DRIVE CCW	107.8	4.24
A6120	SUPERCHARGER, HTV1900, AXIAL, FACE-MOUNT, HORIZONTAL ACTUATOR, 140.9mm DRIVE CW	140.9	5.55
A6121	SUPERCHARGER, HTV1900, AXIAL, FACE-MOUNT, HORIZONTAL ACTUATOR, 140.9mm DRIVE CCW	140.9	5.55
A6122	SUPERCHARGER, HTV1900, AXIAL, FACE-MOUNT, HORIZONTAL ACTUATOR, 172.4mm DRIVE CW	172.4	6.79
A6123	SUPERCHARGER, HTV1900, AXIAL, FACE-MOUNT, HORIZONTAL ACTUATOR, 172.4mm DRIVE CCW	172.4	6.79
A6124	SUPERCHARGER, HTV1900, AXIAL, FACE-MOUNT, HORIZONTAL ACTUATOR, 217.6mm DRIVE CW	217.6	8.57
A6125	SUPERCHARGER, HTV1900, AXIAL, FACE-MOUNT, HORIZONTAL ACTUATOR, 217.6mm DRIVE CCW	217.6	8.57

INLET FLANGE O-RING: AS/BS159  
 OUTLET FACE O-RING: AS/BS174

15.0  
 54.9  
 50.0  
 30.00  
 4 HOLES,  
 M6x1.0 THRU  
 ON 40.0 PCD



REMOVE ALL SHARP EDGES AND  
 BURRS UNLESS OTHERWISE STATED  
 -ALL INTERNAL CORNERS TO BE  
 R0.9 UNLESS OTHERWISE STATED  
 MASS = kg (g) S.O. 2

REV	DATE	BY	CHK	DATE	DESCRIPTION
0	14-Aug-07	KN			FOR PRODUCTION

**HARROP engineering**  
 HARROP ENGINEERING AUSTRALIA PTY. LTD.  
 86 BELLI ST PRESTON, 3072 VICTORIA, AUSTRALIA  
 Ph: (613) 9474-0900 Fax: (613) 9474-0999

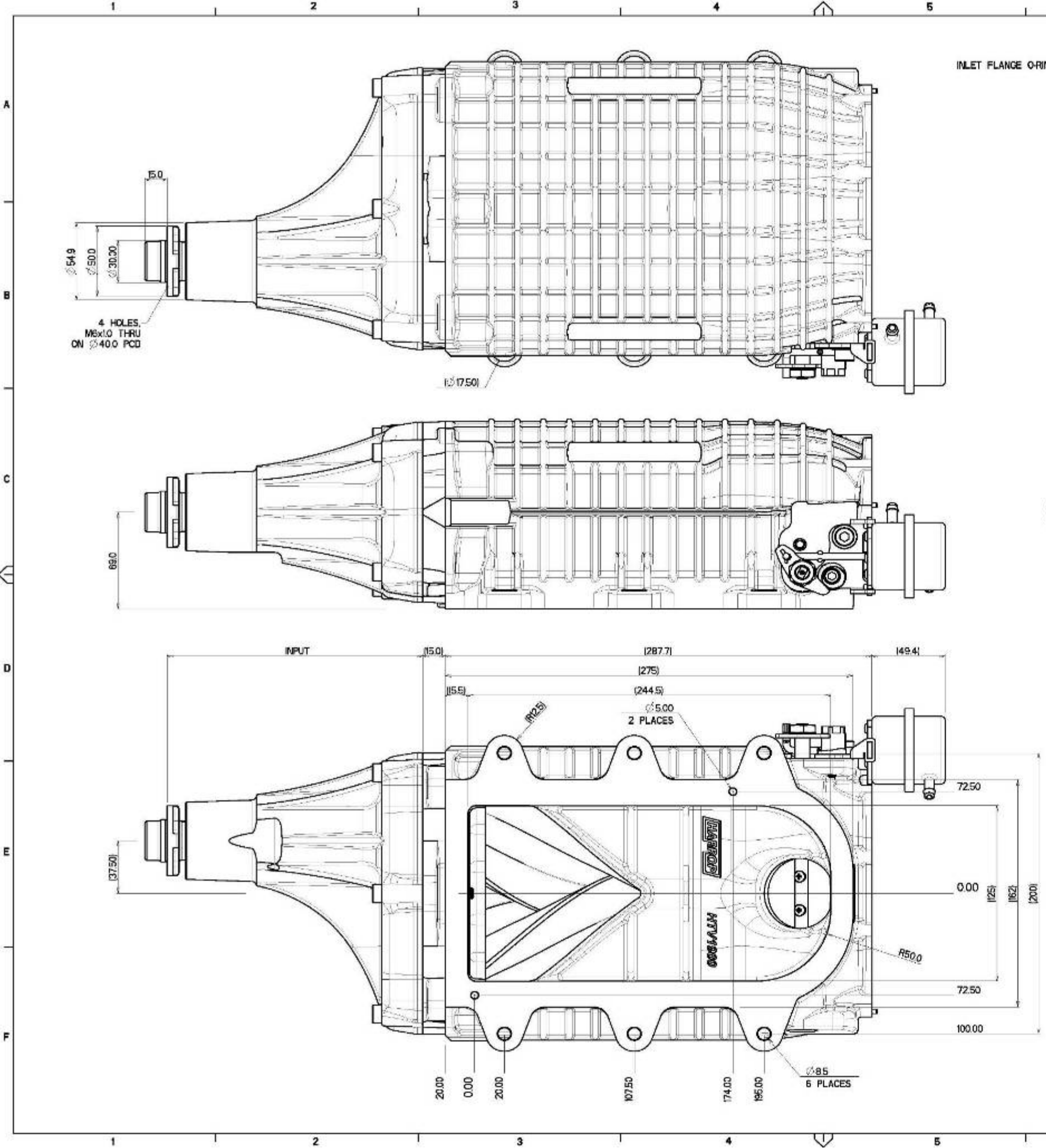
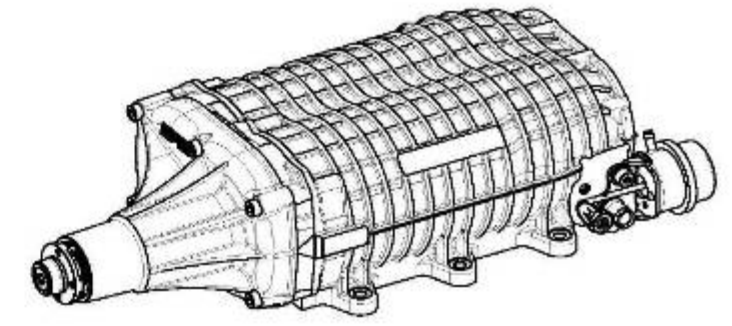
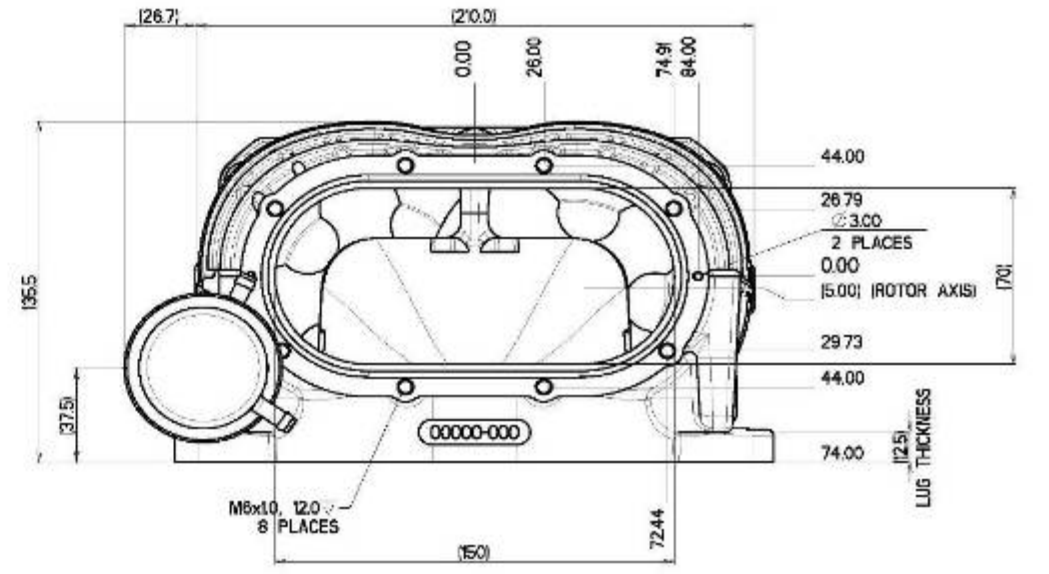
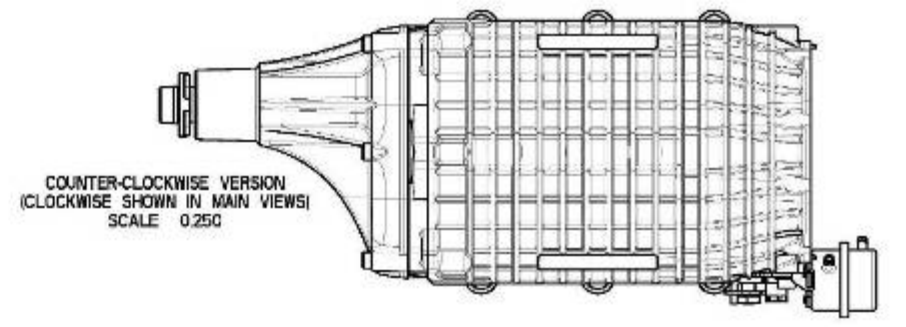
COPYRIGHT APPLIES  
 Variation of this drawing or any specific design without written authority is not permitted.  
 Specialized qualifications is not required.

UNSTATED TOLERANCES  
 L NEAR 0 ± 0.25  
 C 0 ± 0.1  
 M 0.00 ± 0.25  
 RADIUS 0.00 ± 0.25  
 HOLE 0.00 ± 0.25

**SUPERCHARGERS, HTV1900, AXIAL, VARIANTS, LAYOUT**  
 HARROP ENGINEERING DIGITAL DATA SYSTEMS  
 SCALE 0.50 OR A2 SHEET 4 OF 5

NUMBER	DESCRIPTION	INPUT (mm)	INPUT (in)
A9125	SUPERCHARGER, HTV1900 AXIAL, LUG-MOUNT, HORIZONTAL ACTUATOR, 107.5mm DR/ME, CW	107.5	4.24
A9126	SUPERCHARGER, HTV1900 AXIAL, LUG-MOUNT, HORIZONTAL ACTUATOR, 107.5mm DR/ME, CCW	107.5	4.24
A9127	SUPERCHARGER, HTV1900 AXIAL, LUG-MOUNT, HORIZONTAL ACTUATOR, 140.9mm DR/ME, CW	140.9	5.55
A9128	SUPERCHARGER, HTV1900 AXIAL, LUG-MOUNT, HORIZONTAL ACTUATOR, 140.9mm DR/ME, CCW	140.9	5.55
A9129	SUPERCHARGER, HTV1900 AXIAL, LUG-MOUNT, HORIZONTAL ACTUATOR, 172.4mm DR/ME, CW	172.4	6.79
A9130	SUPERCHARGER, HTV1900 AXIAL, LUG-MOUNT, HORIZONTAL ACTUATOR, 172.4mm DR/ME, CCW	172.4	6.79
A9131	SUPERCHARGER, HTV1900 AXIAL, LUG-MOUNT, HORIZONTAL ACTUATOR, 217.6mm DR/ME, CW	217.6	8.57
A9132	SUPERCHARGER, HTV1900 AXIAL, LUG-MOUNT, HORIZONTAL ACTUATOR, 217.6mm DR/ME, CCW	217.6	8.57

INLET FLANGE O-RING: AS/BSI59



REMOVE ALL SHARP EDGES AND BURRS UNLESS OTHERWISE STATED -ALL INTERNAL CORNERS TO BE R0.8 UNLESS OTHERWISE STATED MASS = kg (ref S.O.)

ISSUE	REV	SYM	FOR PRODUCTION	REVISIONS	KN	14-Aug-07	DATE
HARROP ENGINEERING AUSTRALIA PTY. LTD. 96 BELL ST PRESTON, 3072 VICTORIA, AUSTRALIA Ph: (613) 9474-0900 Fax: (613) 9474-0999				COPYRIGHT APPLIES to any specific design features in our products without written authority. Character configurations as shown are registered.		UNSTATED TOLERANCES LINEAR 0 ± 0.25 0.50 ± 0.1 0.50 ± 0.01 ANGULAR 0.0 ± 0.5° 0.20 ± 0.0°	
SUPERCHARGERS, HTV1900, AXIAL, VARIANTS, LAYOUT							
MATERIAL REFER TABLE				FINISH REFER TABLE			
SCALE 0.50 ON A2				SHEET 5 OF 5			