

Harrop ELocker Switches

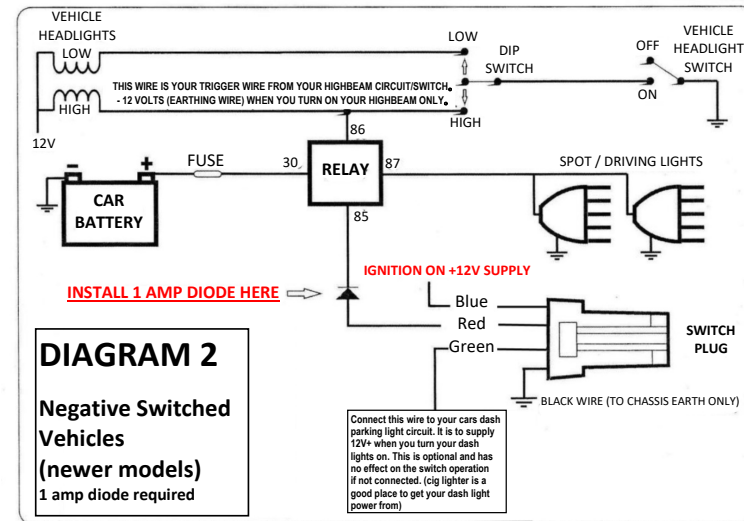
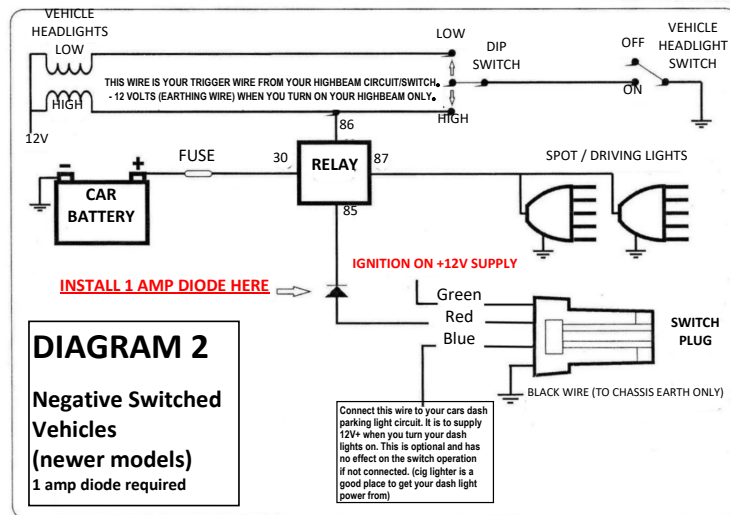
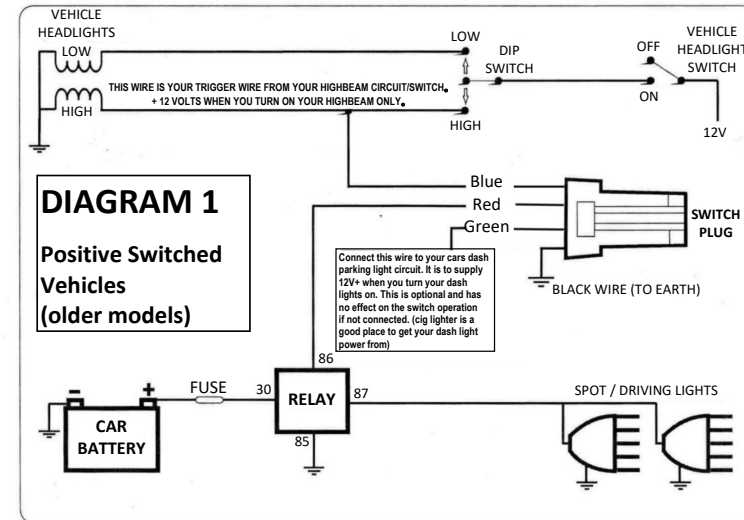
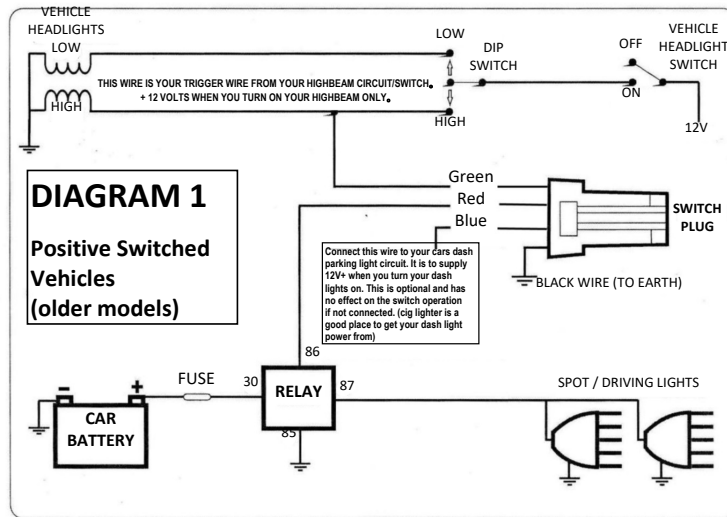
Wiring Diagram for Push Switches



01/04/2020

All Harrop vehicle specific switches (Excluding N200 series)

N200 series switch



For additional information please contact our Sales Team via email - sales@harrop.com.au or call 1300 HARROP

ENGINEERING PERFORMANCE SINCE 1955