

INSTALLATION GUIDE

4X4 FRONT BRAKE UPGRADE KIT



For 60 years Harrop Engineering has been at the forefront of designing, developing and manufacturing precision performance components. Today our innovative and logical approach is applied to low volume automotive OEMs and the performance aftermarket through a dedicated team of 65 staff. Core performance products include Superchargers, Engine Components, Brakes, Differentials and we are also the exclusive Australian Distributor for Forgeline Motorsport Wheels & Lingenfelter Performance Parts.

Harrop are also the preferred supplier of Eaton Supercharger and Traction Control technology including dual branded product designed and manufactured in-house. There are currently over 4000 components in our portfolio and this is growing daily as we continually develop more Harrop Performance Products.

Our high profile car manufacturing customers include Holden, HSV, FPV, Roush and Lotus.

We also supply to race teams from categories including F1, NASCAR and V8 Supercars and an extensive range of drag, circuit and off-road competitors. Just as importantly, a large portion of our customers are performance enthusiasts and weekend warriors who are highly passionate about their ride.

Please take a moment to review the following page and learn why Harrop is the first choice in performance products.

Thank you for choosing Harrop and enjoy your Harrop enhanced ride.

- Team HARROP



ENGINEERING PERFORMANCE SINCE 1955

INSTALLATION GUIDE

ATTENTION: READ BEFORE PROCEEDING



KIT CONTAINS

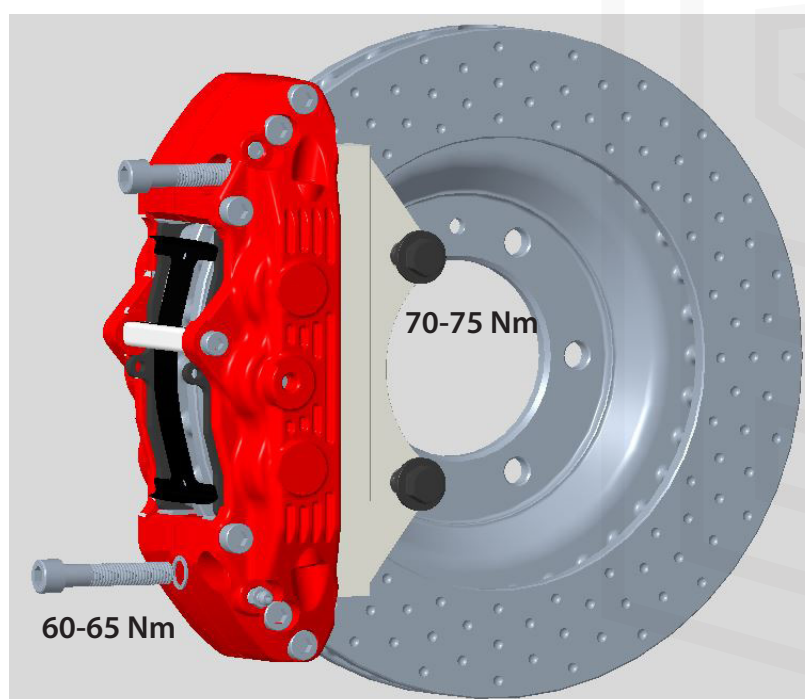
- 1 set of 6 piston calipers
- 1 set of caliper brackets
- 1 set of ADR compliant braided lines suitable for up to 3" lift
- 1 pair of one piece rotors, 356 diameter vented 36mm thick, not handed
- Brake pads, part number (61-PAD14341)

(Bracket mounting bolts to be reused from original mounting)

Before fitting this kit please check that the swept profile of the brake kit fits the wheel inner profile, kit does not suit standard wheels.

Fitment (to be done by a qualified technician)

- Place vehicle on hoist or jack stands and remove the front wheels, calipers and existing rotors.
- Remove the brake lines ensuring the fluid is contained.
- Trim the return lip on backing plate to accommodate larger disc and caliper
- Install the new brake lines to the vehicle ensuring correct spanners are used.
- Install the caliper bracket and rotor, note torque specification below, blue Loctite 243 on bolts
- Install the caliper using socket head cap screws and washers supplied and note torque specification below, use blue Loctite 243 on bolts
- Install the new brake line to caliper ensuring the new copper washers are used, bleed up the brakes checking for leaks.
- Fit wheels and top up brake fluid and test drive.



ENGINEERING PERFORMANCE SINCE 1955