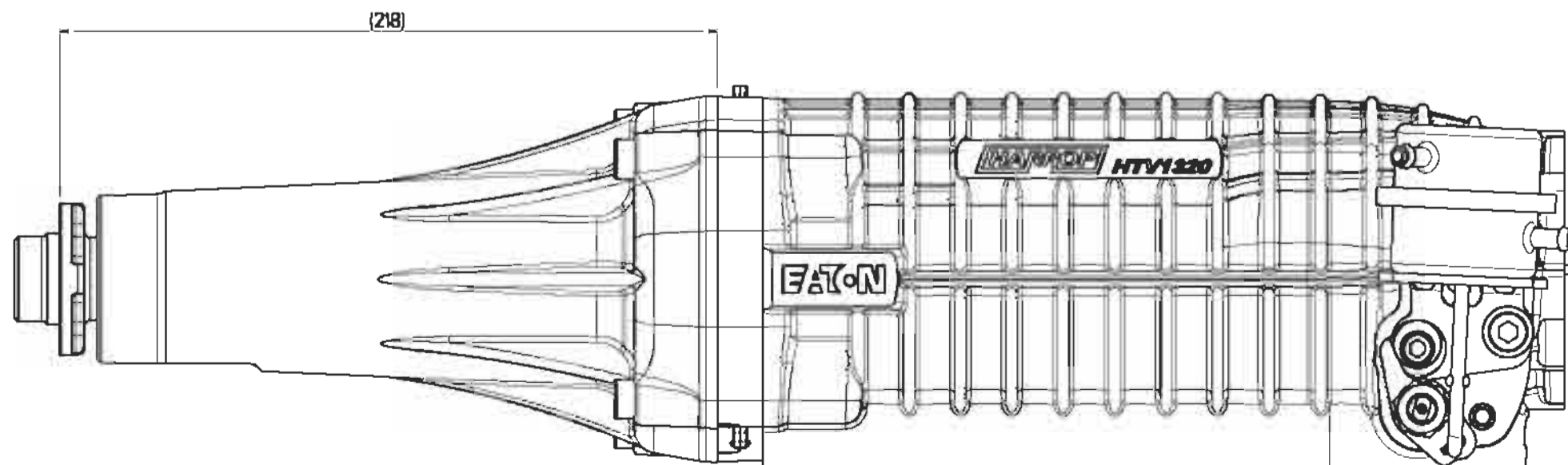
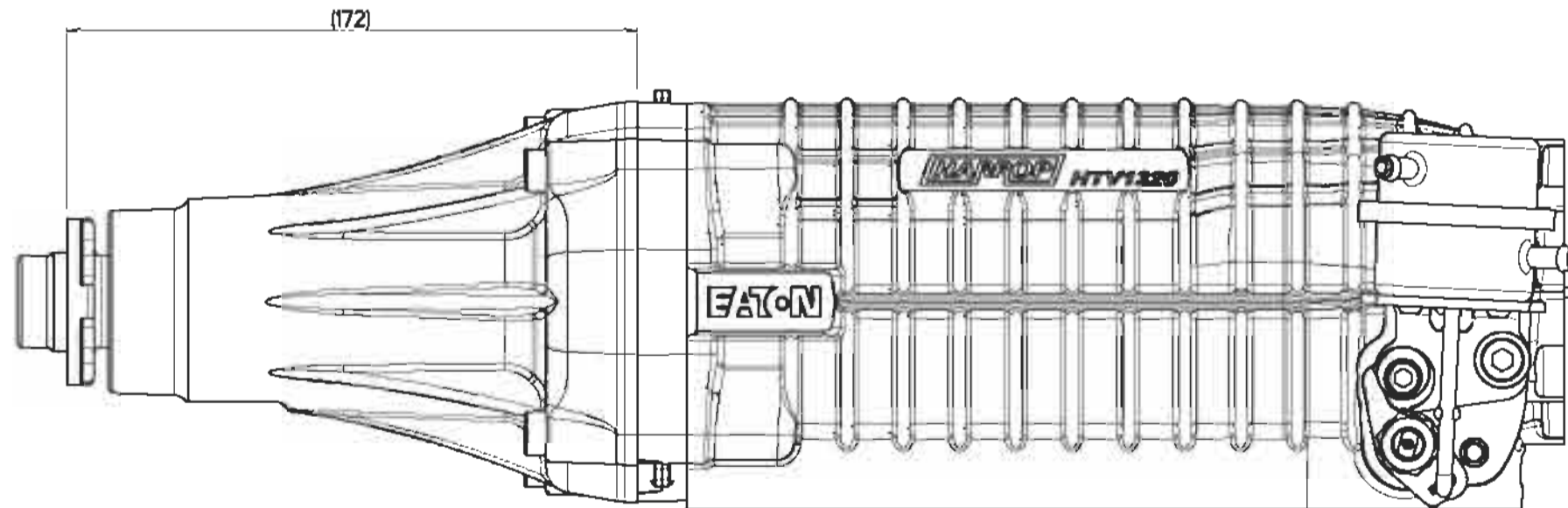
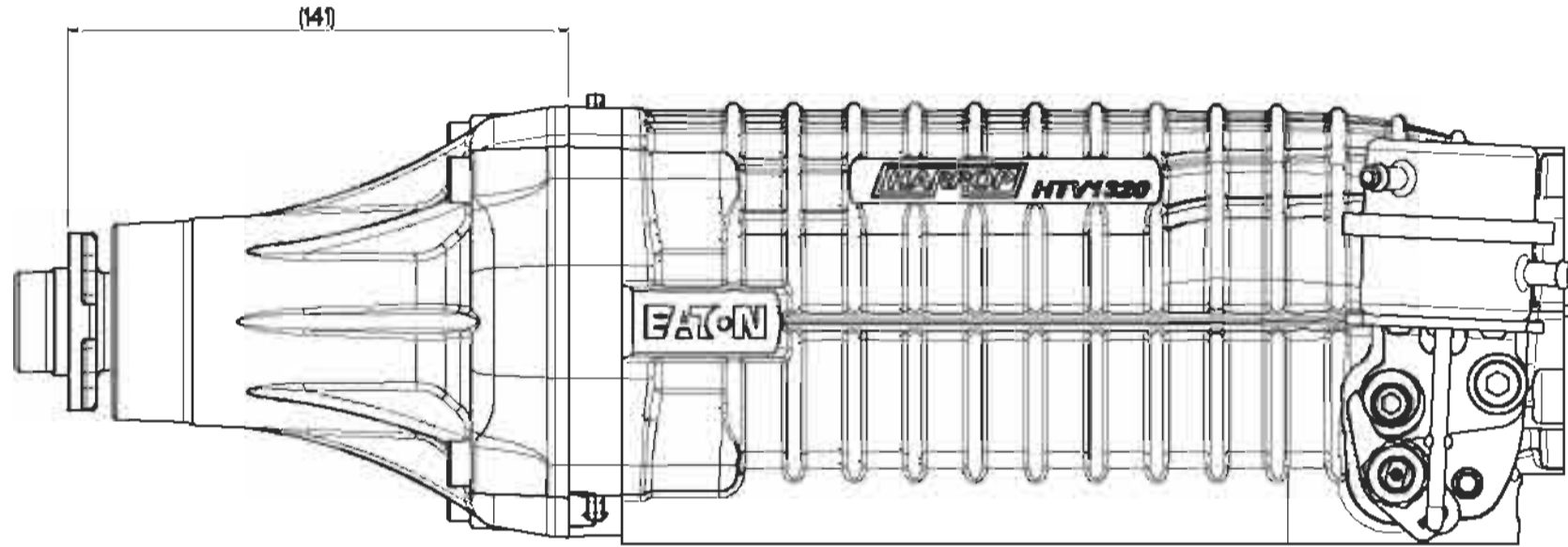
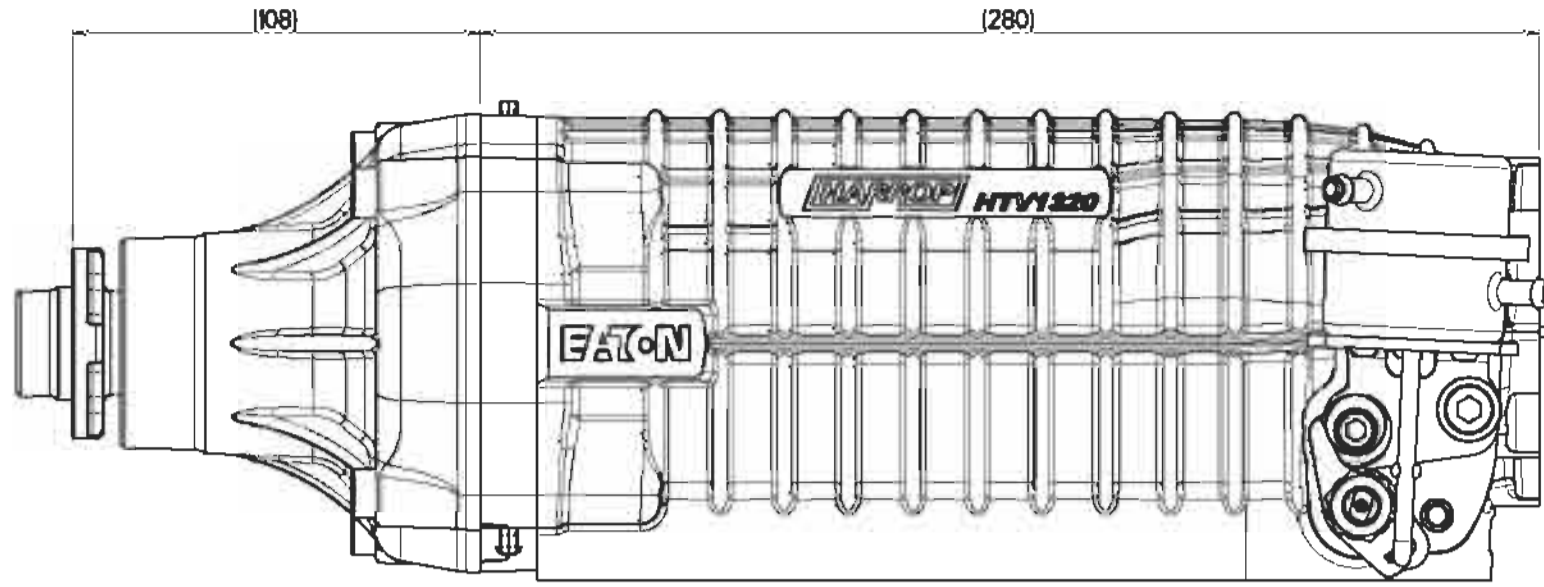


NAME:KEN OBJECT:SCHRGR\_HTV1320A\_VARIANTS\_A9339\_1 DATE:08-Nov-07 14:09:39

A9339-00

NUMBER	DESCRIPTION	INPUT (mm)	INPUT (inches)
A9344	SUPERCHARGER, HTV1320, AXIAL, FACE-MOUNT, VERTICAL ACTUATOR, 107.8mm DRIVE, CW	107.8	4.24
A9345	SUPERCHARGER, HTV1320, AXIAL, FACE-MOUNT, VERTICAL ACTUATOR, 140.9mm DRIVE, CW	140.9	5.55
A9346	SUPERCHARGER, HTV1320, AXIAL, FACE-MOUNT, VERTICAL ACTUATOR, 172.4mm DRIVE, CW	172.4	6.79
A9347	SUPERCHARGER, HTV1320, AXIAL, FACE-MOUNT, VERTICAL ACTUATOR, 217.6mm DRIVE, CW	217.6	8.57
A9348	SUPERCHARGER, HTV1320, AXIAL, LUG-MOUNT, VERTICAL ACTUATOR, 107.8mm DRIVE, CW	107.8	4.24
A9349	SUPERCHARGER, HTV1320, AXIAL, LUG-MOUNT, VERTICAL ACTUATOR, 140.9mm DRIVE, CW	140.9	5.55
A9350	SUPERCHARGER, HTV1320, AXIAL, LUG-MOUNT, VERTICAL ACTUATOR, 172.4mm DRIVE, CW	172.4	6.79
A9351	SUPERCHARGER, HTV1320, AXIAL, LUG-MOUNT, VERTICAL ACTUATOR, 217.6mm DRIVE, CW	217.6	8.57
A9352	SUPERCHARGER, HTV1320, AXIAL, FACE-MOUNT, HORIZONTAL ACTUATOR, 107.8mm DRIVE, CW	107.8	4.24
A9353	SUPERCHARGER, HTV1320, AXIAL, FACE-MOUNT, HORIZONTAL ACTUATOR, 140.9mm DRIVE, CW	140.9	5.55
A9354	SUPERCHARGER, HTV1320, AXIAL, FACE-MOUNT, HORIZONTAL ACTUATOR, 172.4mm DRIVE, CW	172.4	6.79
A9355	SUPERCHARGER, HTV1320, AXIAL, FACE-MOUNT, HORIZONTAL ACTUATOR, 217.6mm DRIVE, CW	217.6	8.57
A9356	SUPERCHARGER, HTV1320, AXIAL, LUG-MOUNT, HORIZONTAL ACTUATOR, 107.8mm DRIVE, CW	107.8	4.24
A9357	SUPERCHARGER, HTV1320, AXIAL, LUG-MOUNT, HORIZONTAL ACTUATOR, 140.9mm DRIVE, CW	140.9	5.55
A9358	SUPERCHARGER, HTV1320, AXIAL, LUG-MOUNT, HORIZONTAL ACTUATOR, 172.4mm DRIVE, CW	172.4	6.79
A9359	SUPERCHARGER, HTV1320, AXIAL, LUG-MOUNT, HORIZONTAL ACTUATOR, 217.6mm DRIVE, CW	217.6	8.57



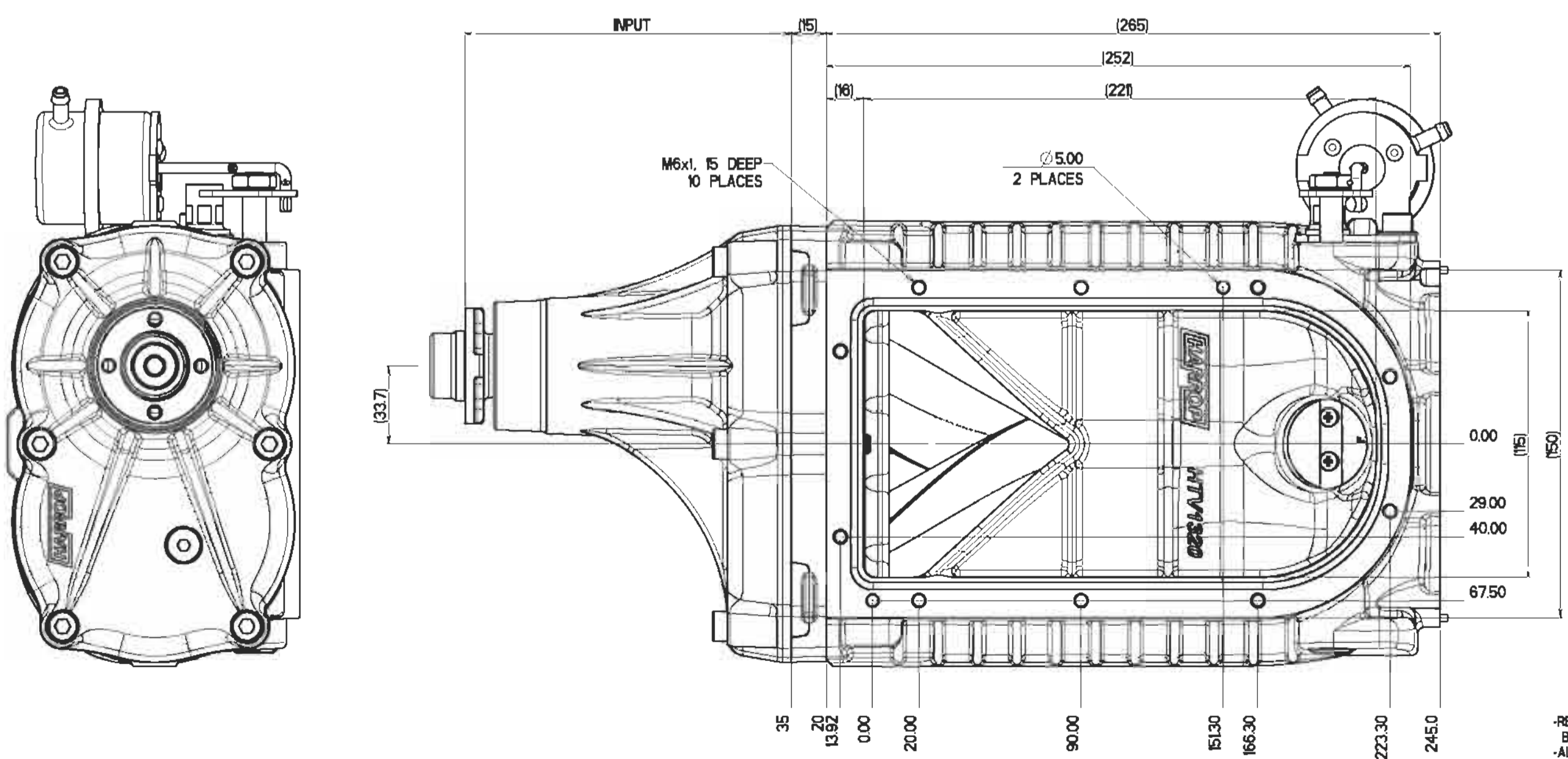
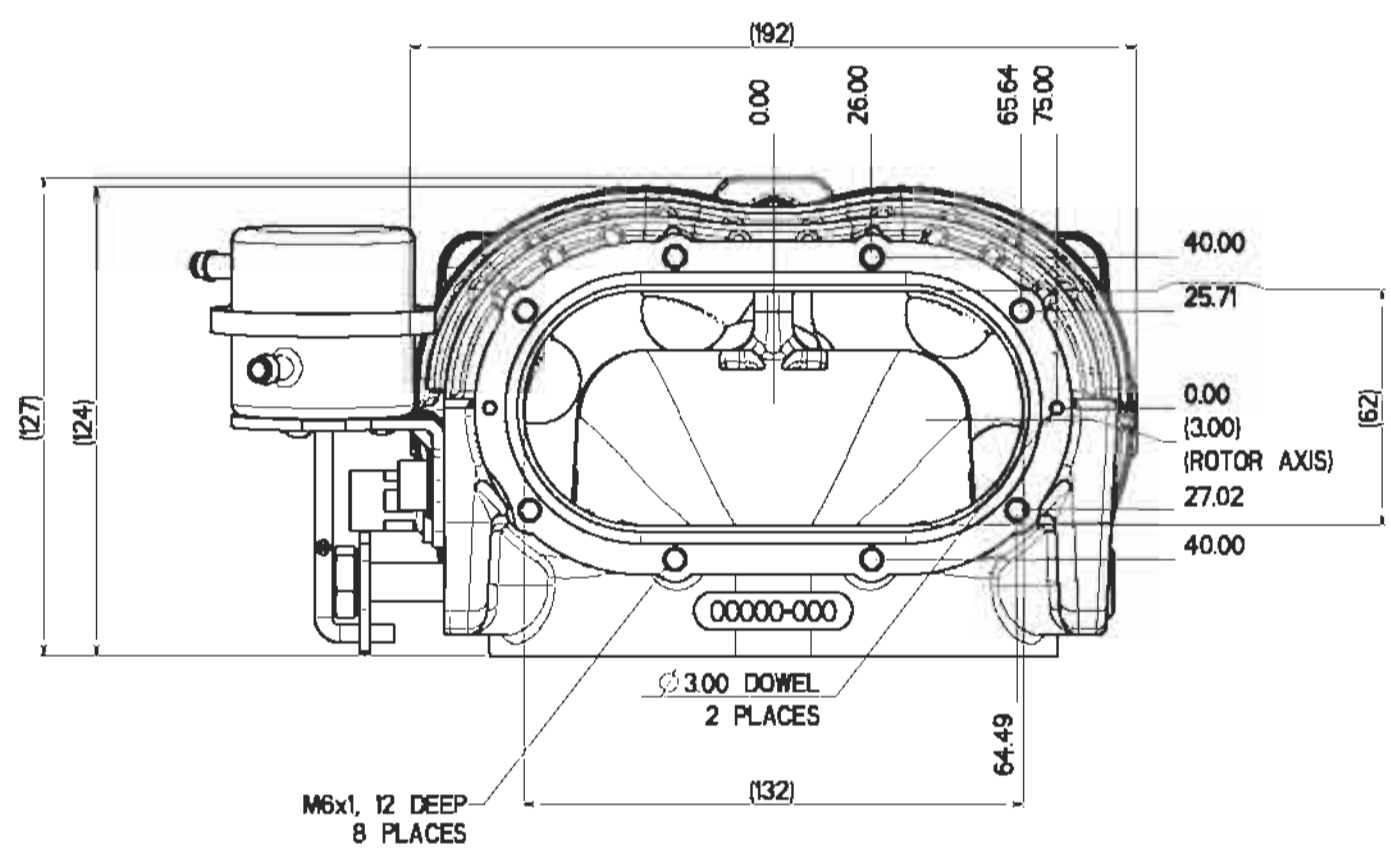
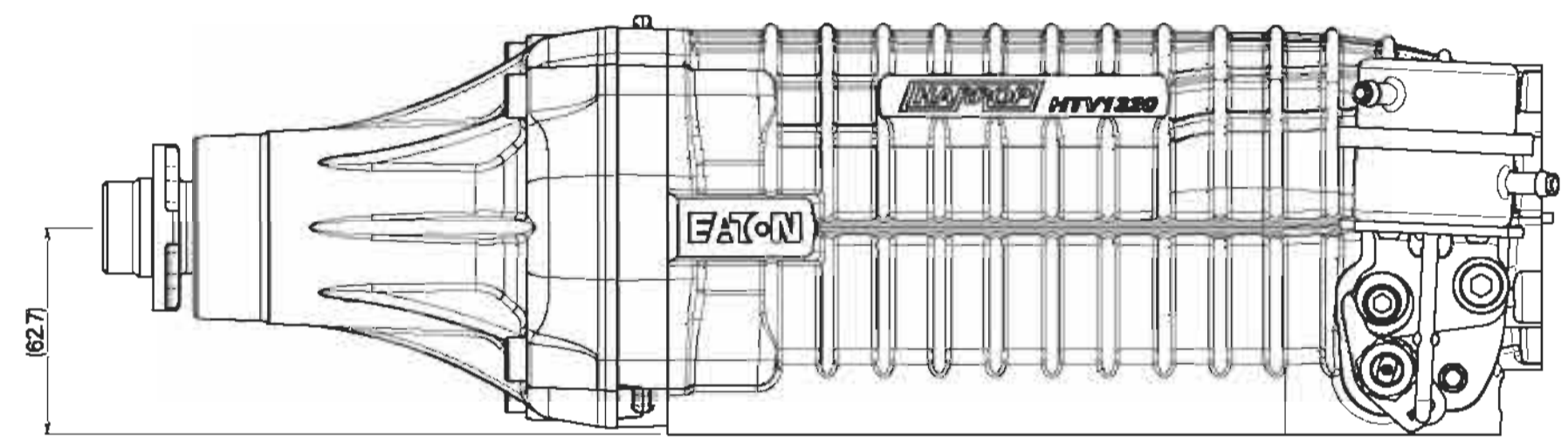
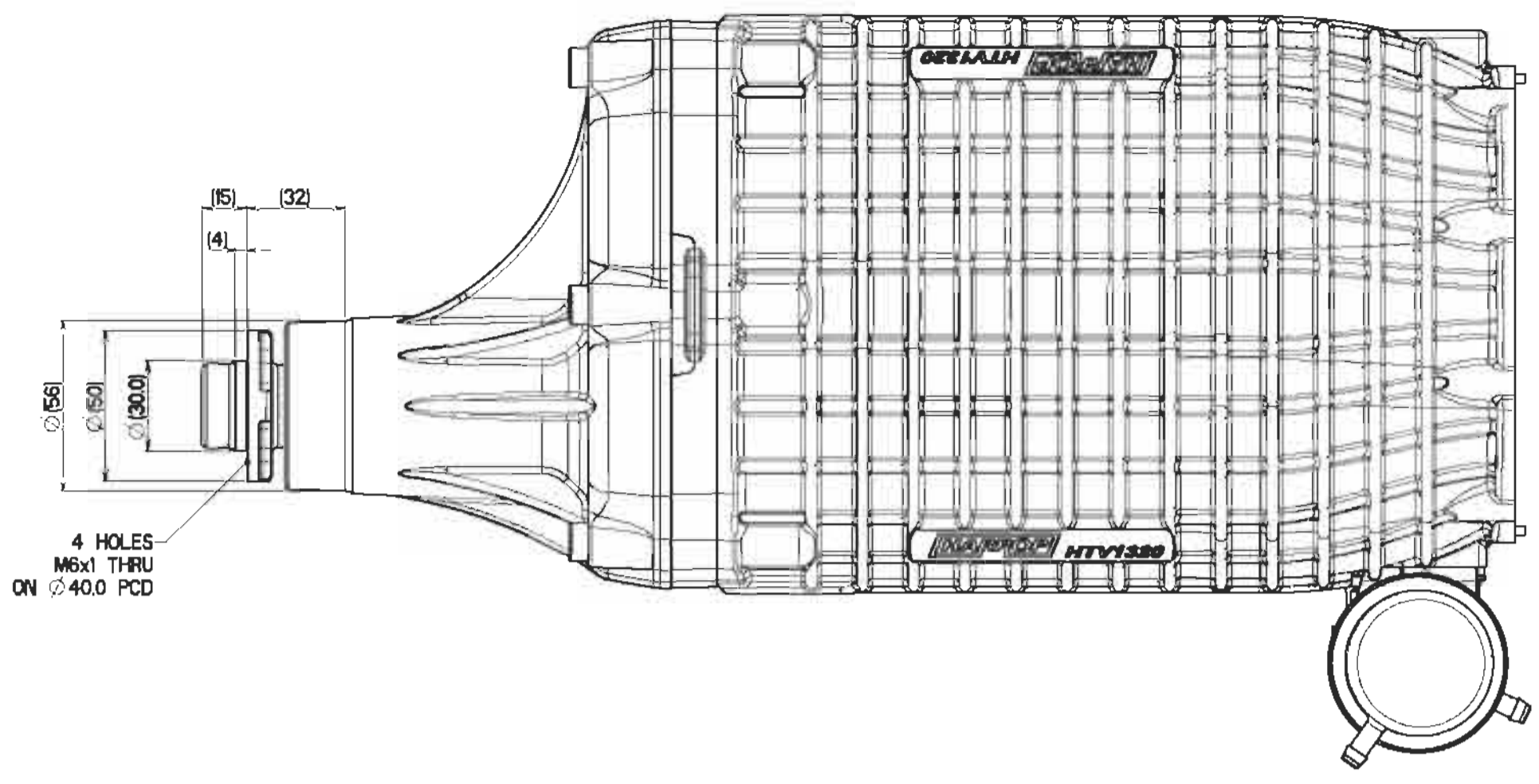
ISSUE	SKN #	SYM	FOR PRODUCTION	REVISIONS	DRN	DATE	CHK	BASE
0	-	-	FOR PRODUCTION		KN	04-Nov-07		
<b>HARROP</b> engineering				HARROP ENGINEERING AUSTRALIA PTY. LTD. 98 BELL ST PRESTON, 3072 VICTORIA, AUSTRALIA Ph: +613 9474-0900 Fax: +613 9474-0999		COPYRIGHT APPLIES Duplication of this drawing for any specific design features is not permitted without written authority Commercial Confidentiality is assumed and required.		UNSTATED TOLERANCES LINEAR 0.0 ± 0.25 ANGULAR 0.0 ± 0.5
TITLE: Superchargers HTV2300 / SCHRGR HTV1320A VARIANTS A9339				MATERIAL REFER TABLE		PRO/ENGINEER DIGITAL DATA AVAILABLE		DRAWING A9339-00
MASS: REFER TABLE kg (SEE REFER PARTS LIST)				SCALE: 0.50 ON A2		SHEET 1 OF 5		A9339-00

REMOVE ALL SHARP EDGES AND  
BURRS UNLESS OTHERWISE STATED  
ALL INTERNAL CORNERS TO BE  
R0.8 UNLESS OTHERWISE STATED



NUMBER	DESCRIPTION	INPUT (mm)	INPUT (inches)
A9344	SUPERCHARGER, HTV1320, AXIAL, FACE-MOUNT, VERTICAL ACTUATOR, 107.8mm DRIVE, CW	107.8	4.24
A9345	SUPERCHARGER, HTV1320, AXIAL, FACE-MOUNT, VERTICAL ACTUATOR, 140.9mm DRIVE, CW	140.9	5.55
A9346	SUPERCHARGER, HTV1320, AXIAL, FACE-MOUNT, VERTICAL ACTUATOR, 172.4mm DRIVE, CW	172.4	6.79
A9347	SUPERCHARGER, HTV1320, AXIAL, FACE-MOUNT, VERTICAL ACTUATOR, 217.6mm DRIVE, CW	217.6	8.57

INLET FLANGE O-RING: AS/BS156  
 OUTLET FACE O-RING: AS/BS171



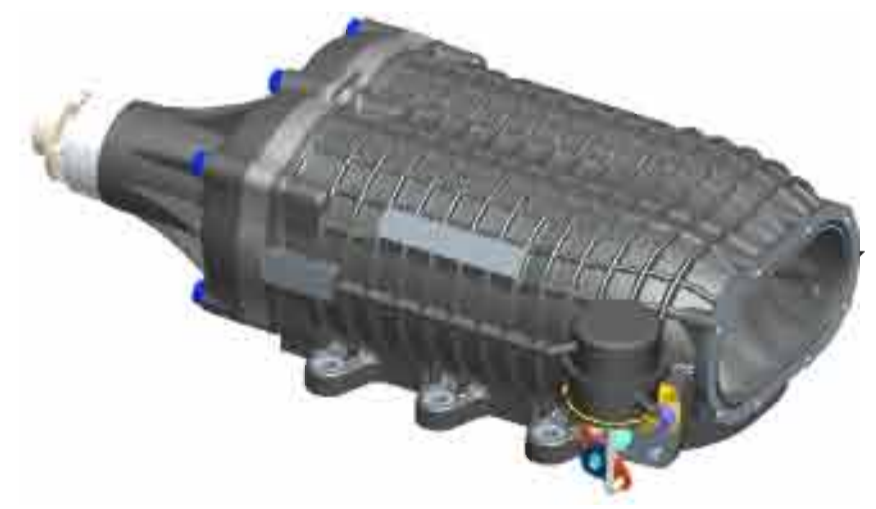
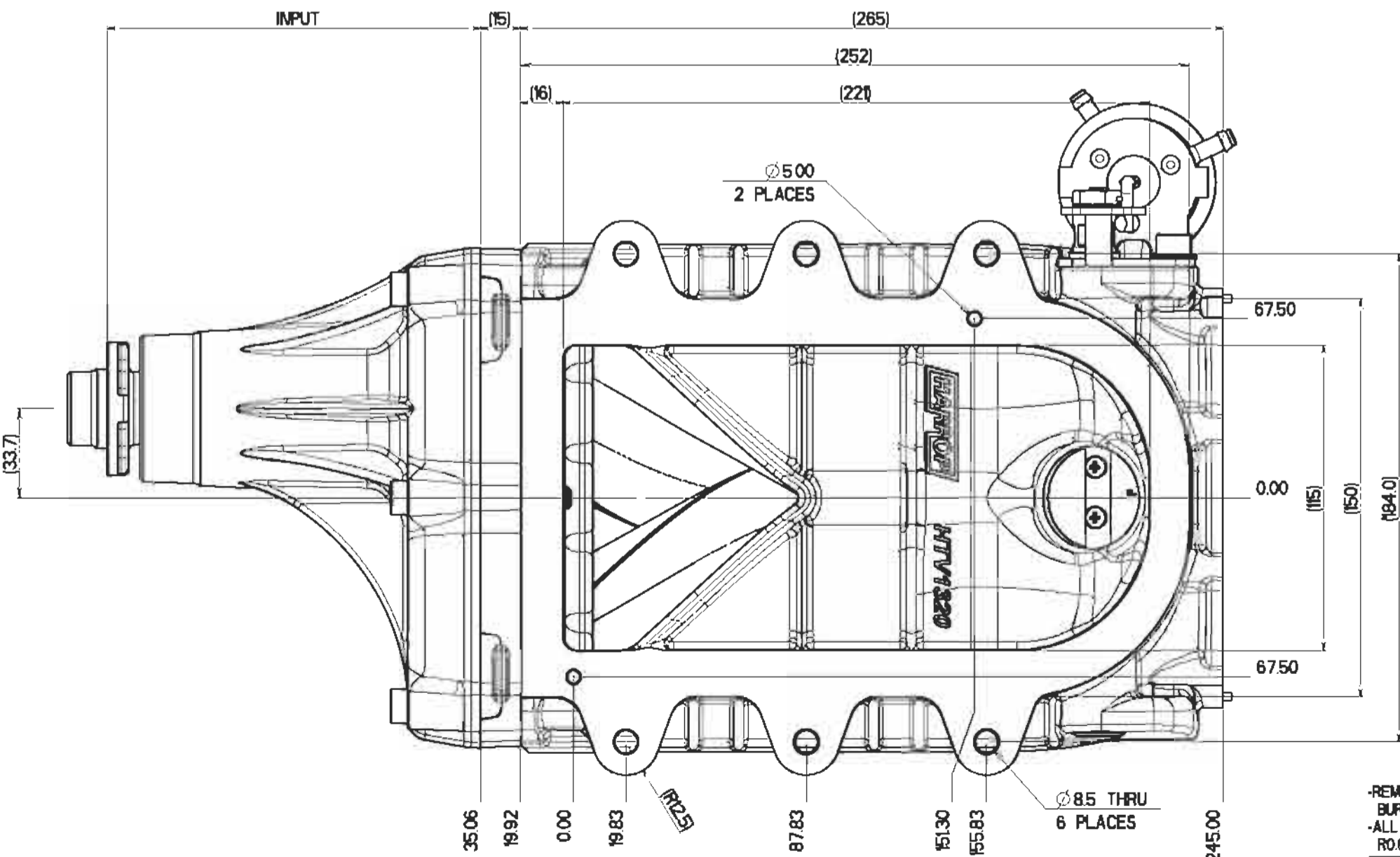
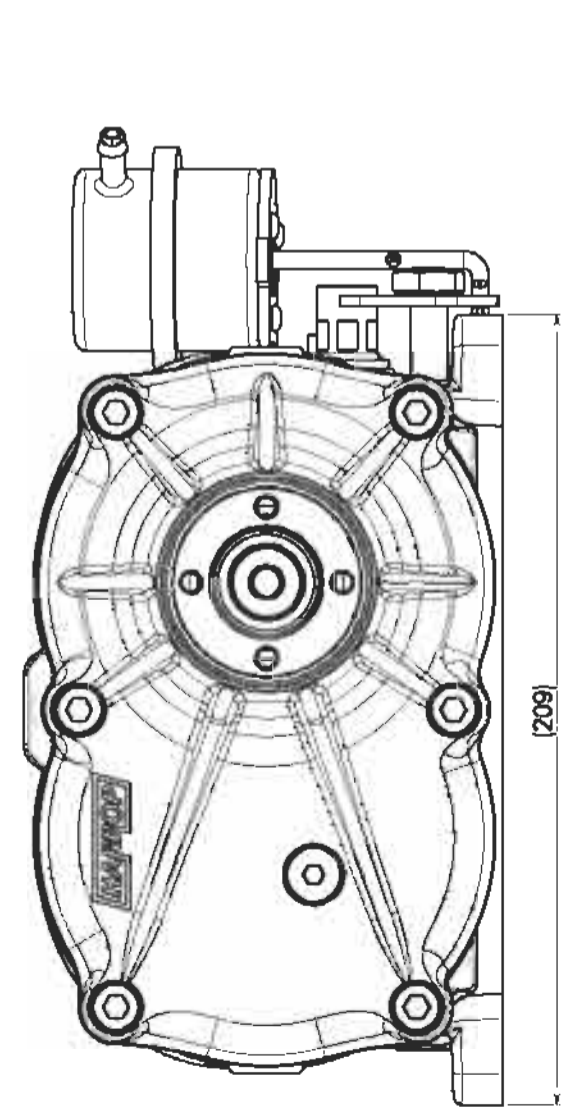
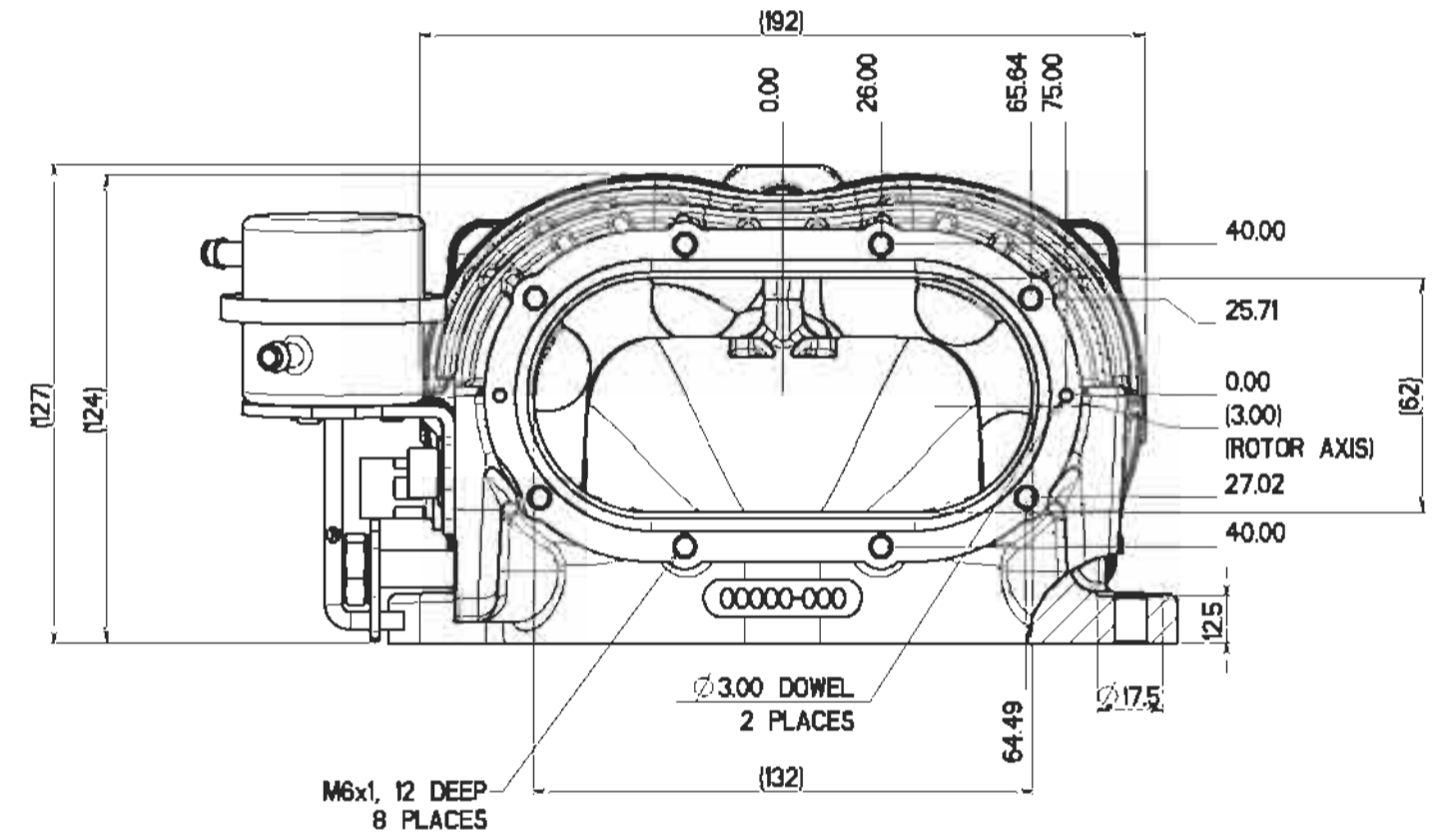
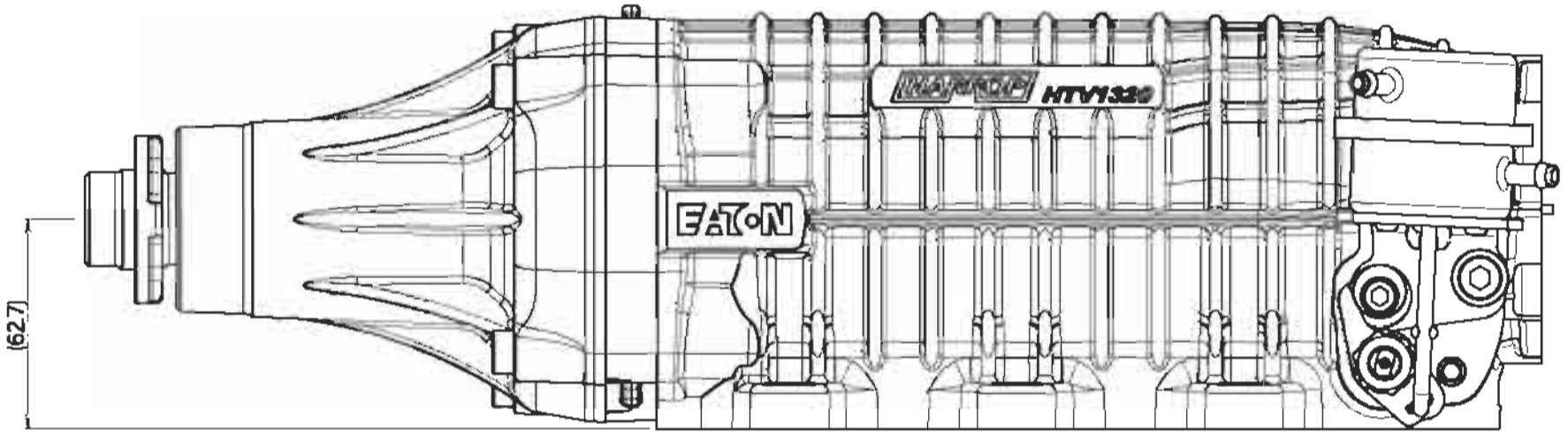
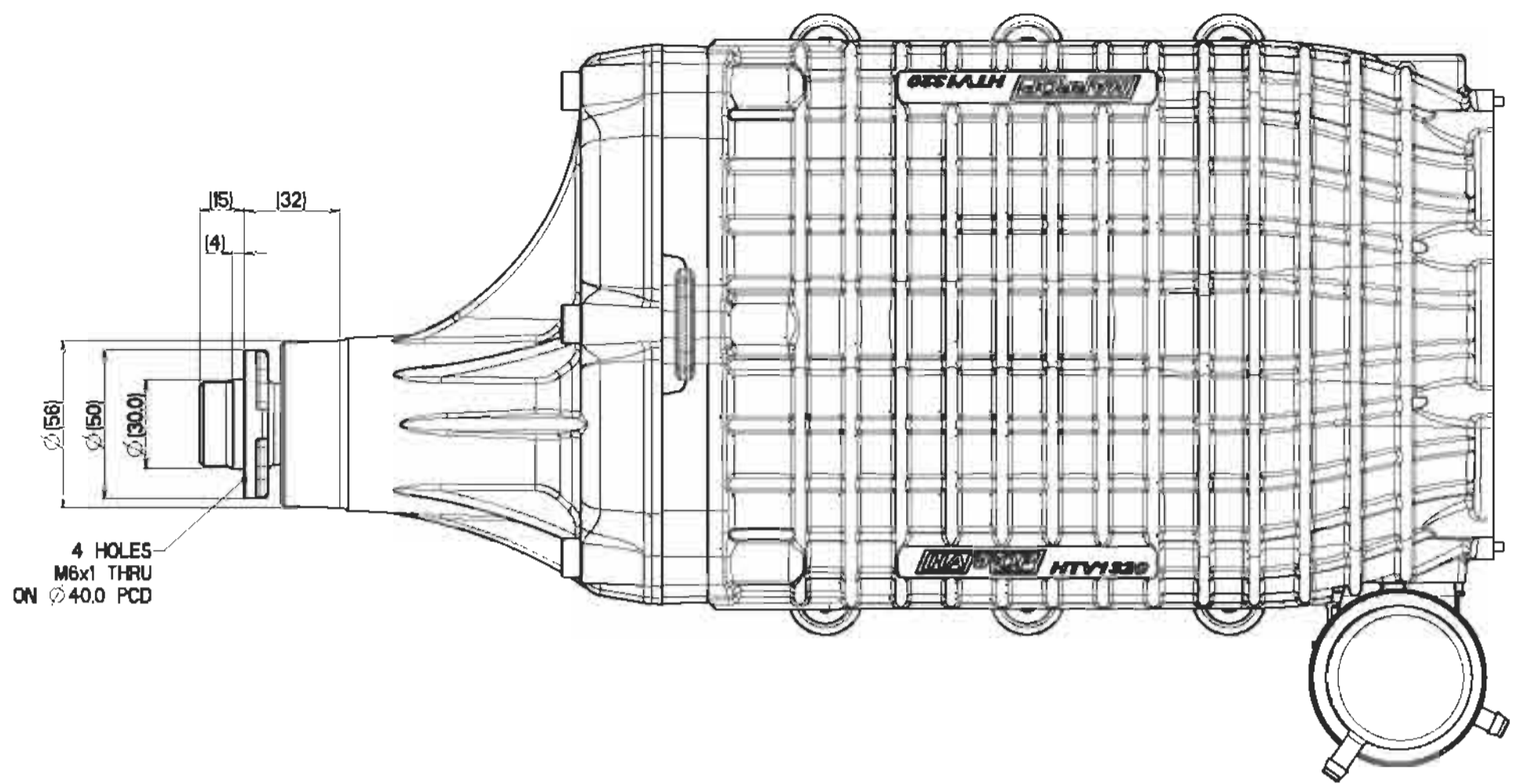
REMOVE ALL SHARP EDGES AND BURRS UNLESS OTHERWISE STATED  
 ALL INTERNAL CORNERS TO BE R0.8 UNLESS OTHERWISE STATED

ISSUE	SKN #	SYM	FOR PRODUCTION	REVISIONS	DRN	DATE	CHK	BASE
0	-	-	FOR PRODUCTION		KN	04-Nov-07		
			HARROP ENGINEERING AUSTRALIA PTY. LTD. 98 BELL ST PRESTON, 3072 VICTORIA, AUSTRALIA Ph: +61 3 9474-0900 Fax: +61 3 9474-0999		COPYRIGHT APPLIES Duplication of this drawing for any specific design features is not permitted without written authority. Commercial Confidentiality is assumed and required.		UNSTATED TOLERANCES LINEAR 0.0 ± 0.25 0.0 ± 0.1 ANGULAR 0.0 ± 0.5° 0.0 ± 0.5°	
			SUPERCHARGERS, HTV1320, AXIAL, VARIANTS, LAYOUT FILE: superchargers\HTV2300\SCHRGR HTV1320A.VARIANTS.A9339.DWG MATERIAL REFER TABLE PRO/ENGINEER DIGITAL DATA AVAILABLE SCALE 0.50 ON A2 SHEET 2 OF 5					



NUMBER	DESCRIPTION	INPUT (mm)	INPUT (inches)
A9348	SUPERCHARGER, HTV1320, AXIAL, LUG-MOUNT, VERTICAL ACTUATOR, 107.8mm DRIVE, CW	107.8	4.24
A9349	SUPERCHARGER, HTV1320, AXIAL, LUG-MOUNT, VERTICAL ACTUATOR, 140.9mm DRIVE, CW	140.9	5.55
A9350	SUPERCHARGER, HTV1320, AXIAL, LUG-MOUNT, VERTICAL ACTUATOR, 172.4mm DRIVE, CW	172.4	6.79
A9351	SUPERCHARGER, HTV1320, AXIAL, LUG-MOUNT, VERTICAL ACTUATOR, 217.6mm DRIVE, CW	217.8	8.57

INLET FLANGE O-RING: AS/BS156



REMOVE ALL SHARP EDGES AND BURRED UNLESS OTHERWISE STATED  
 ALL INTERNAL CORNERS TO BE R0.8 UNLESS OTHERWISE STATED

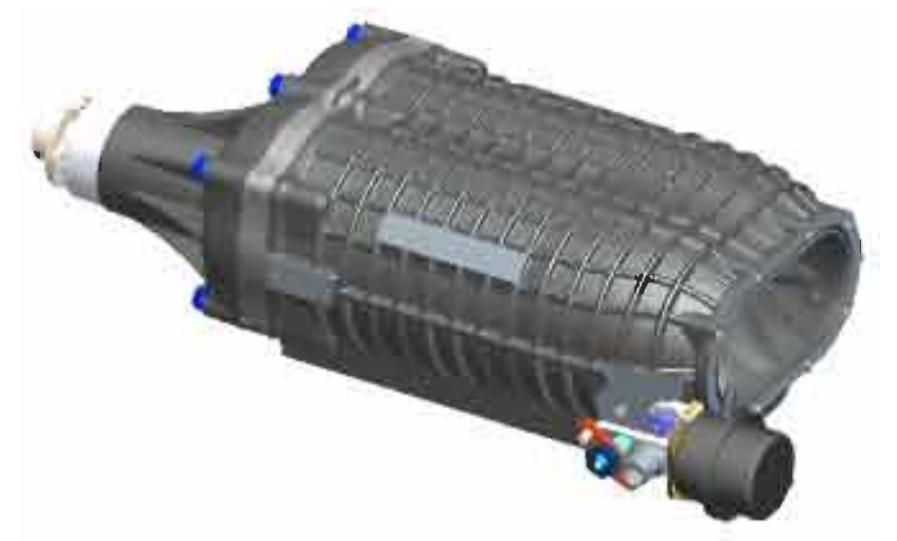
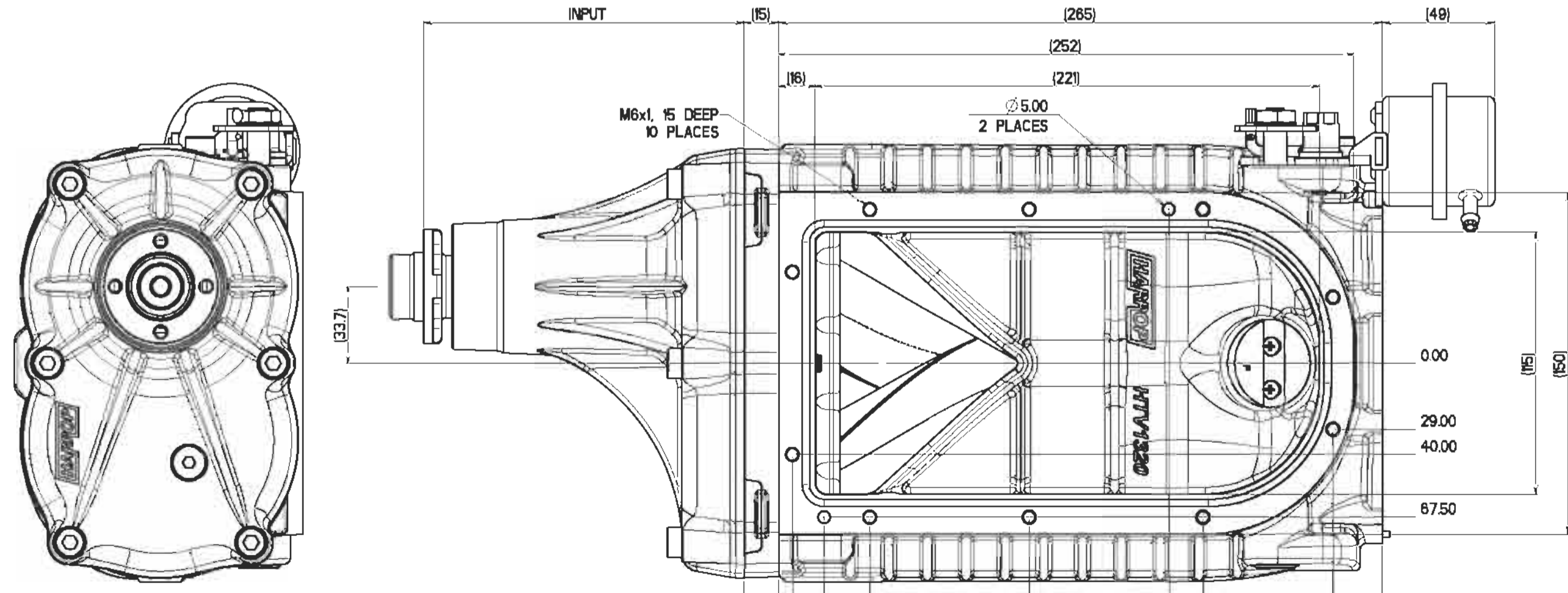
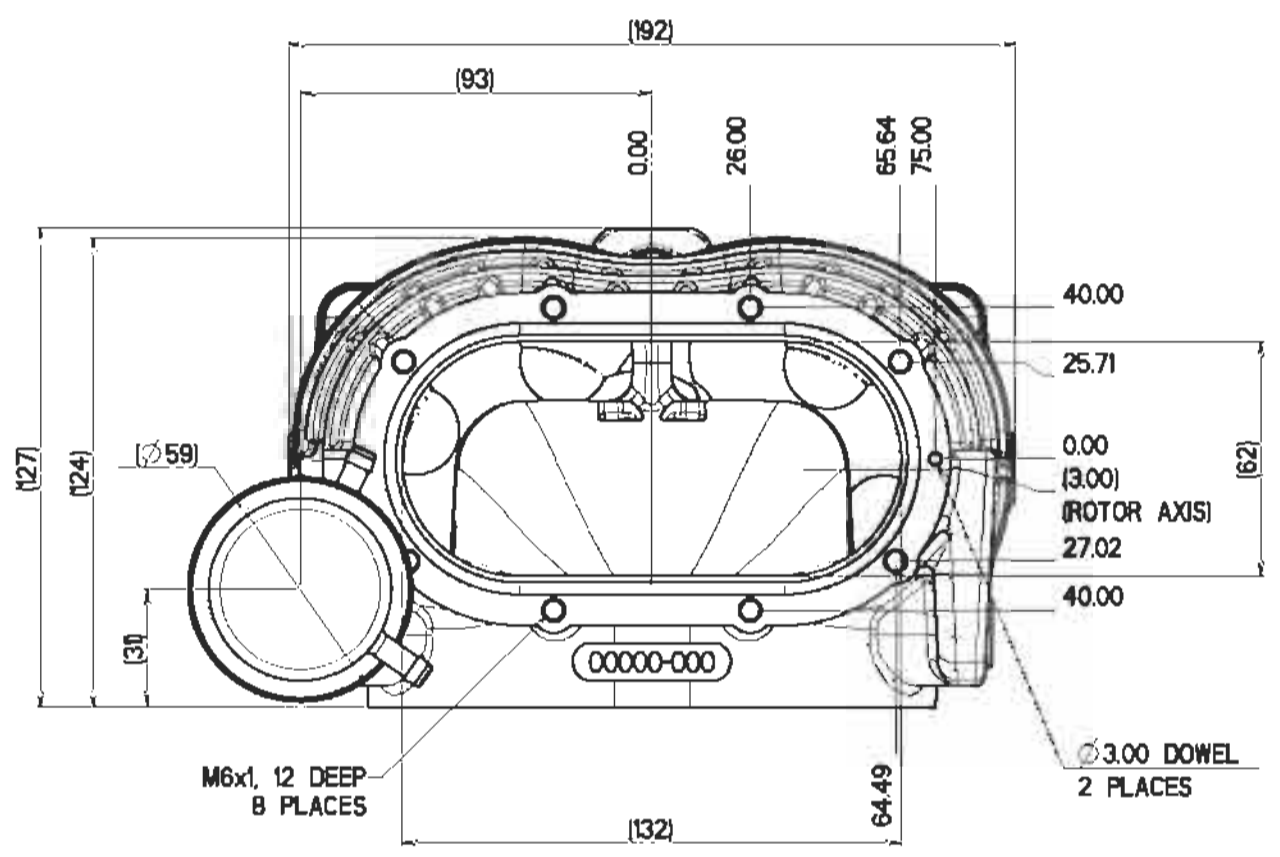
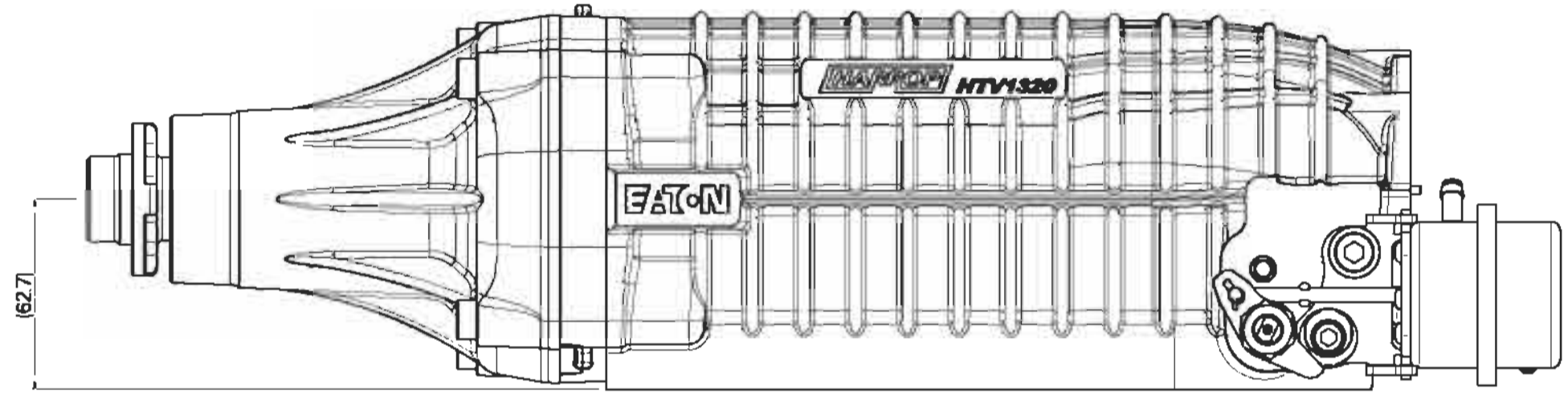
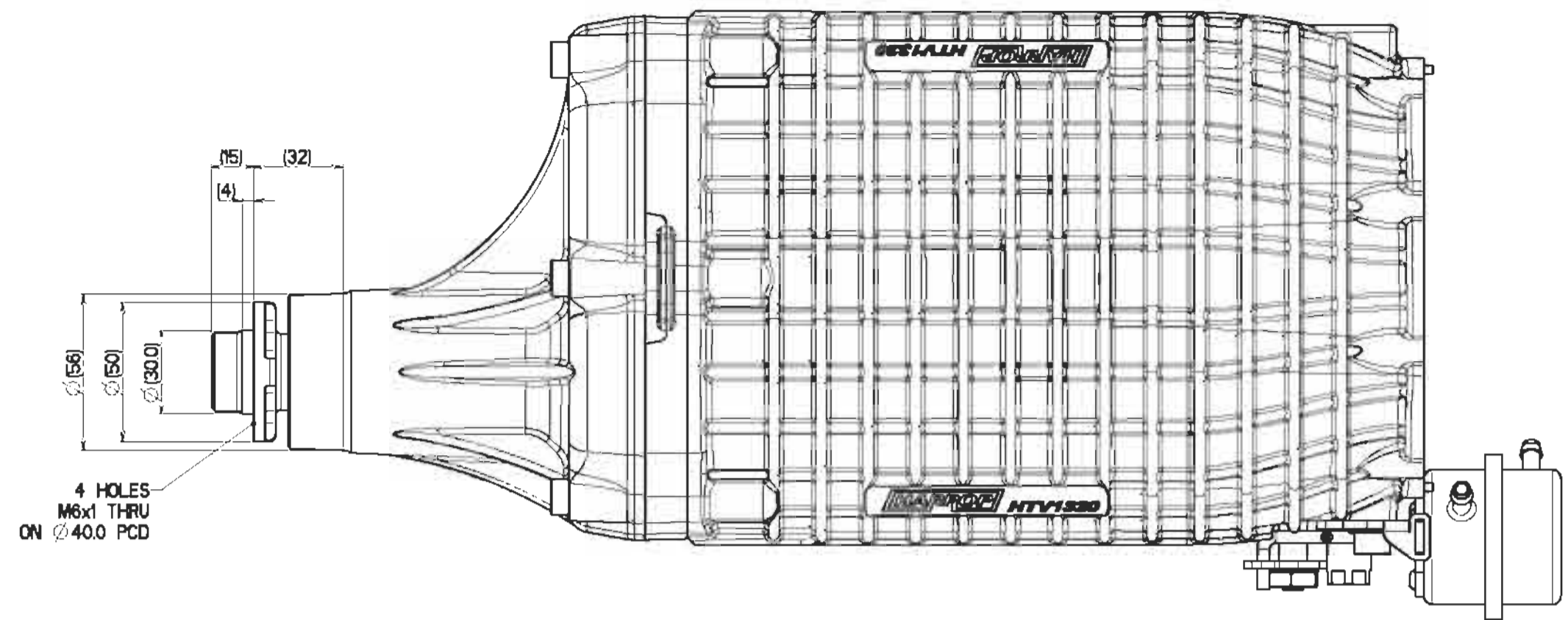
ISSUE	SKN #	SYM	FOR PRODUCTION	REVISIONS	DRN	DATE	CHK	BASE
0	-	-	FOR PRODUCTION		KN	04-Nov-07		
			<b>HARROP ENGINEERING</b> AUSTRALIA PTY. LTD. 98 BELL ST PRESTON, 3072 VICTORIA, AUSTRALIA Ph: +613 9474-0900 Fax: +613 9474-0999		COPYRIGHT APPLIES Duplication of this drawing for any specific design features is not permitted without written authority Commercial Confidentiality is assumed and required.		UNSTATED TOLERANCES LINEAR 0.0 ± 0.25 ANGULAR 0.0 ± 0.5°	
			<b>HARROP engineering</b>		SUPERCHARGERS, HTV1320, AXIAL, VARIANTS, LAYOUT		TILT superchargers HTV2300 / SCHRGR HTV1320A VARIANTS A9339 DRAWING	
			MATERIAL REFER TABLE		PRO/ENGINEER DIGITAL DATA AVAILABLE		SCALE 0.50 ON A2 SHEET 3 OF 5	
			MASS REFER TABLE (SEE REFER PARTS LIST)				<b>A9339-00</b>	

NAME:KEN OBJECT:SCHRGR\_HTV1320A\_VARIANTS\_A9339\_3 DATE:08-Nov-07 14:10:04



NUMBER	DESCRIPTION	INPUT (mm)	INPUT (inches)
A9352	SUPERCHARGER, HTV1320, AXIAL, FACE-MOUNT, HORIZONTAL ACTUATOR, 107.8mm DRIVE, CW	107.8	4.24
A9353	SUPERCHARGER, HTV1320, AXIAL, FACE-MOUNT, HORIZONTAL ACTUATOR, 140.9mm DRIVE, CW	140.9	5.55
A9354	SUPERCHARGER, HTV1320, AXIAL, FACE-MOUNT, HORIZONTAL ACTUATOR, 172.4mm DRIVE, CW	172.4	6.79
A9355	SUPERCHARGER, HTV1320, AXIAL, FACE-MOUNT, HORIZONTAL ACTUATOR, 217.8mm DRIVE, CW	217.8	8.57

INLET FLANGE O-RING: A5/B516  
 OUTLET FACE O-RING: A5/B571



ISSUE	SKN #	SYM	FOR PRODUCTION	REVISIONS	DRN	DATE	CHK	BASE
0	-	-	FOR PRODUCTION		KN	04-Nov-07		
HARROP ENGINEERING AUSTRALIA PTY. LTD. 98 BELL ST PRESTON, 3072 VICTORIA, AUSTRALIA Ph: +613 9474-0900 Fax: +613 9474-0999			COPYRIGHT APPLIES Duplication of this drawing for any specific design features is not permitted without written authority. Commercial Confidentiality is assumed and required.			UNSTATED TOLERANCES LINEAR 0.0 ± 0.25 0.0 ± 0.1 0.0 ± 0.5 ANGULAR 0.0 ± 0.5 0.0 ± 0.5		
SUPERCHARGERS, HTV1320, AXIAL, VARIANTS, LAYOUT								
TILT: superchargers/HTV2300/SCHRGR HTV1320A VARIANTS A9339 DRAWING								
MATERIAL REFER TABLE			PRO/ENGINEER DIGITAL DATA AVAILABLE			A9339-00		
REFER TABLE 6			REFER TABLE			SCALE 0.50 ON A2 SHEET 4 OF 5		

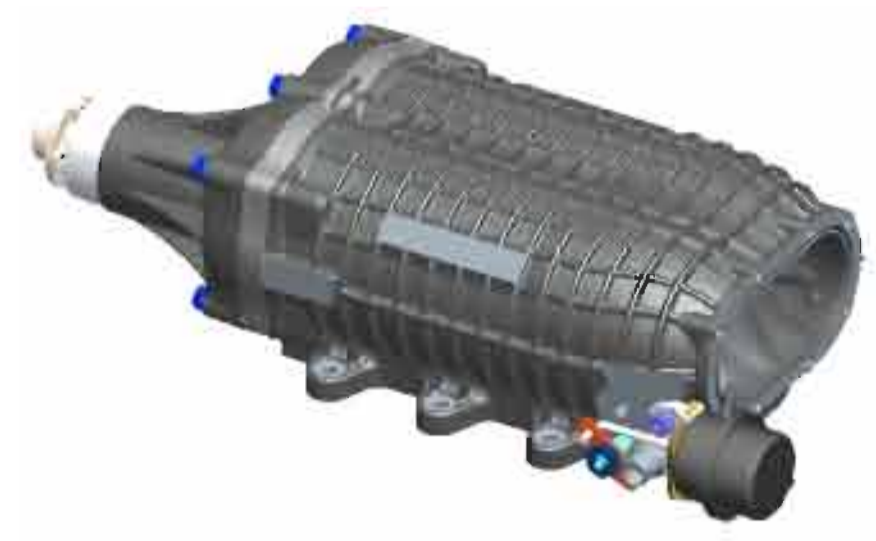
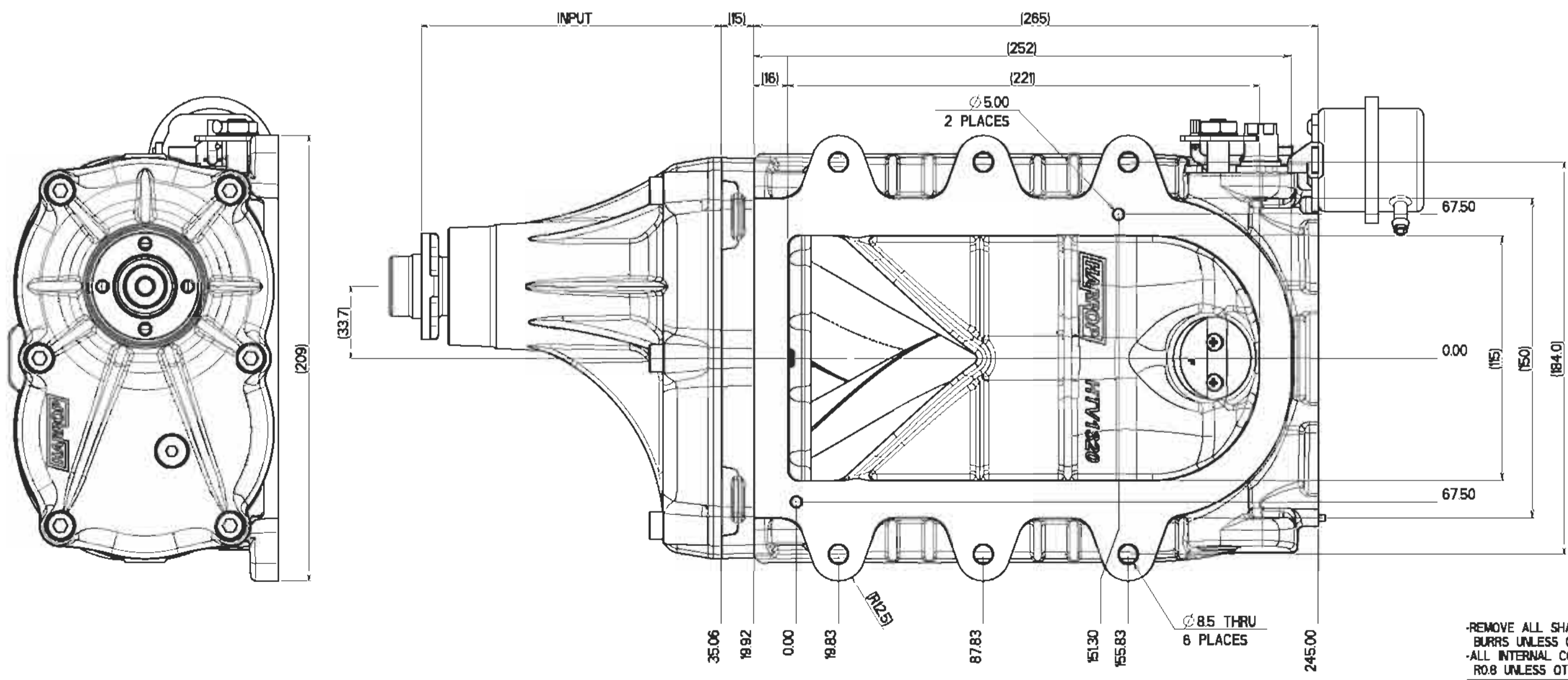
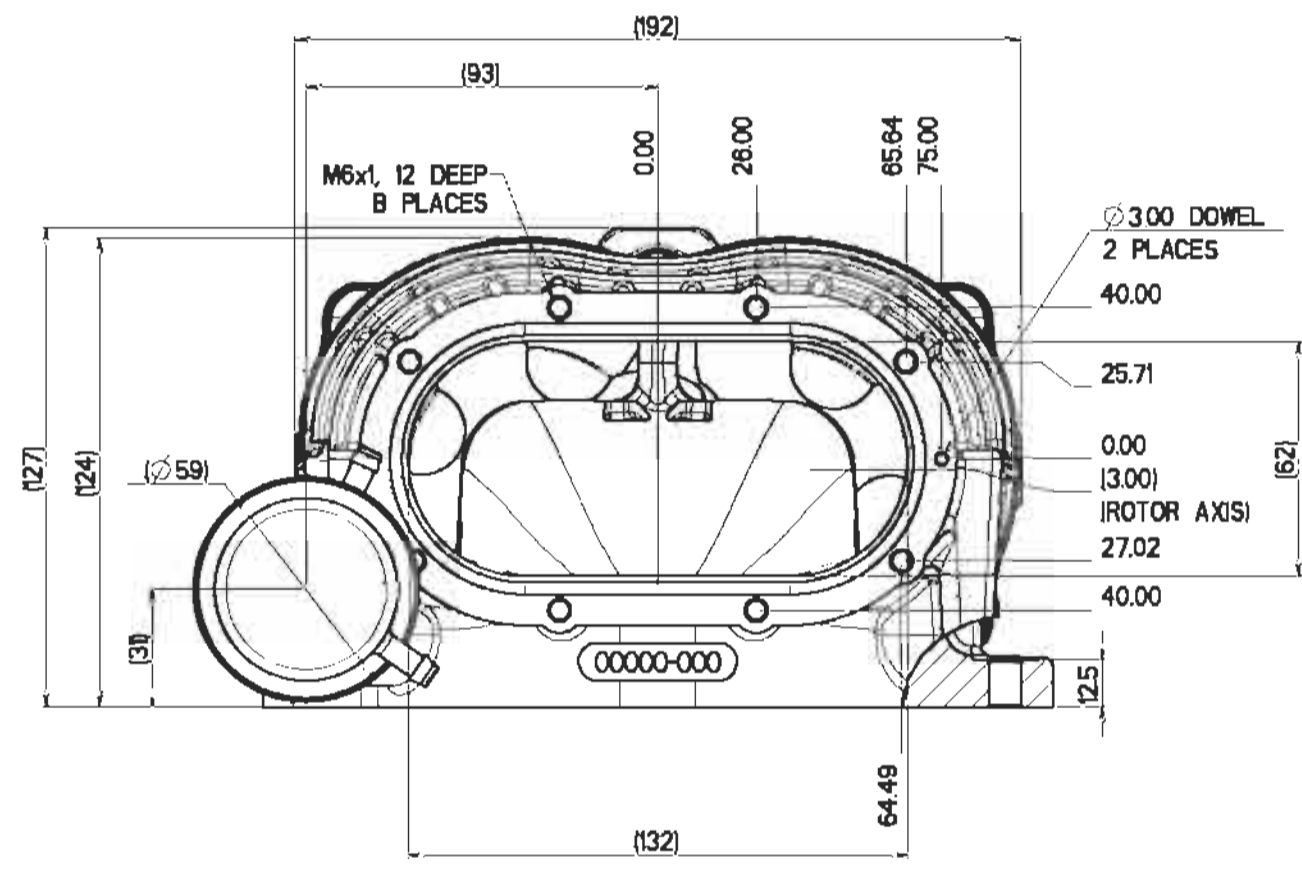
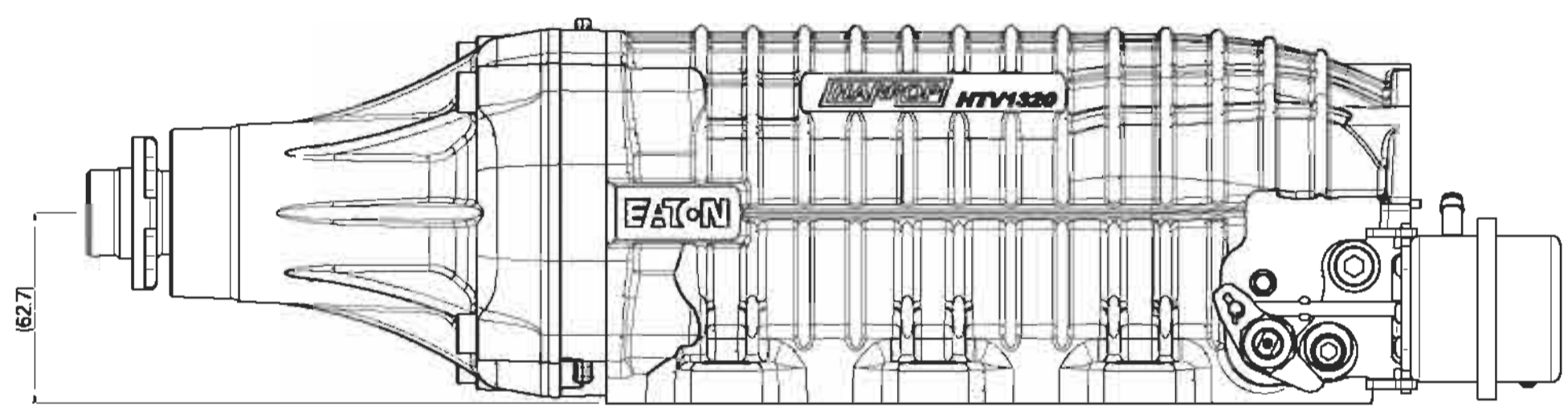
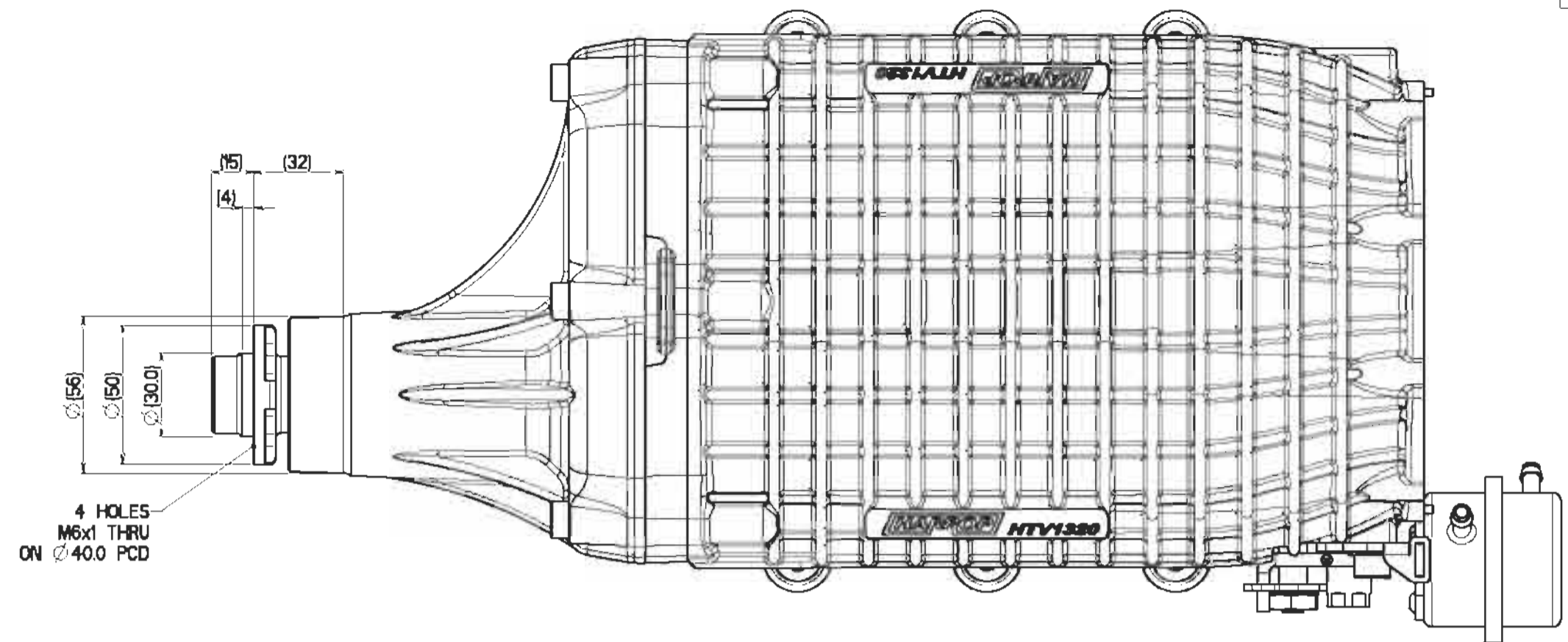
REMOVE ALL SHARP EDGES AND BURRS UNLESS OTHERWISE STATED  
 ALL INTERNAL CORNERS TO BE R0.8 UNLESS OTHERWISE STATED

NAME:KEN OBJECT:SCHRGR\_HTV1320A\_VARIANTS\_A9339\_4 DATE:08-Nov-07 14:10:15



NUMBER	DESCRIPTION	INPUT (mm)	INPUT (inches)
A9356	SUPERCHARGER, HTV1320, AXIAL, LUG-MOUNT, HORIZONTAL ACTUATOR, 107.8mm DRIVE, CW	107.8	4.24
A9357	SUPERCHARGER, HTV1320, AXIAL, LUG-MOUNT, HORIZONTAL ACTUATOR, 140.9mm DRIVE, CW	140.9	5.55
A9358	SUPERCHARGER, HTV1320, AXIAL, LUG-MOUNT, HORIZONTAL ACTUATOR, 172.4mm DRIVE, CW	172.4	6.79
A9359	SUPERCHARGER, HTV1320, AXIAL, LUG-MOUNT, HORIZONTAL ACTUATOR, 217.6mm DRIVE, CW	217.6	8.57

INLET FLANGE O-RING: AS/BS156



ISSUE	SKN #	SYM	FOR PRODUCTION	REVISIONS	KN	04-Nov-07	DRW	DATE	CHK	BASE
			<b>HARROP ENGINEERING</b> AUSTRALIA PTY. LTD. 98 BELL ST PRESTON, 3072 VICTORIA, AUSTRALIA Ph: +613 9474-0900 Fax: +613 9474-0999		COPYRIGHT APPLIES Duplication of this drawing for any specific design features is not permitted without written authority Commercial Confidentiality is assumed and required.		UNSTATED TOLERANCES LINEAR 0.0 ± 0.25 0.0 ± 0.1 ANGULAR 0.0 ± 0.5° 0.0 ± 0.5°			
SUPERCHARGERS HTV1320, AXIAL, VARIANTS, LAYOUT TILT: superchargers HTV2300 / SCHRGR HTV1320A VARIANTS A9339 MATERIAL REFER TABLE PRO/ENGINEER DIGITAL DATA AVAILABLE SCALE 0.50 ON A2 SHEET 5 OF 5										

REMOVE ALL SHARP EDGES AND BURRS UNLESS OTHERWISE STATED  
 ALL INTERNAL CORNERS TO BE R0.8 UNLESS OTHERWISE STATED

NAME:KEN OBJECT:SCHRGR\_HTV1320A\_VARIANTS\_A9339\_5 DATE:08-Nov-07 14:10:25