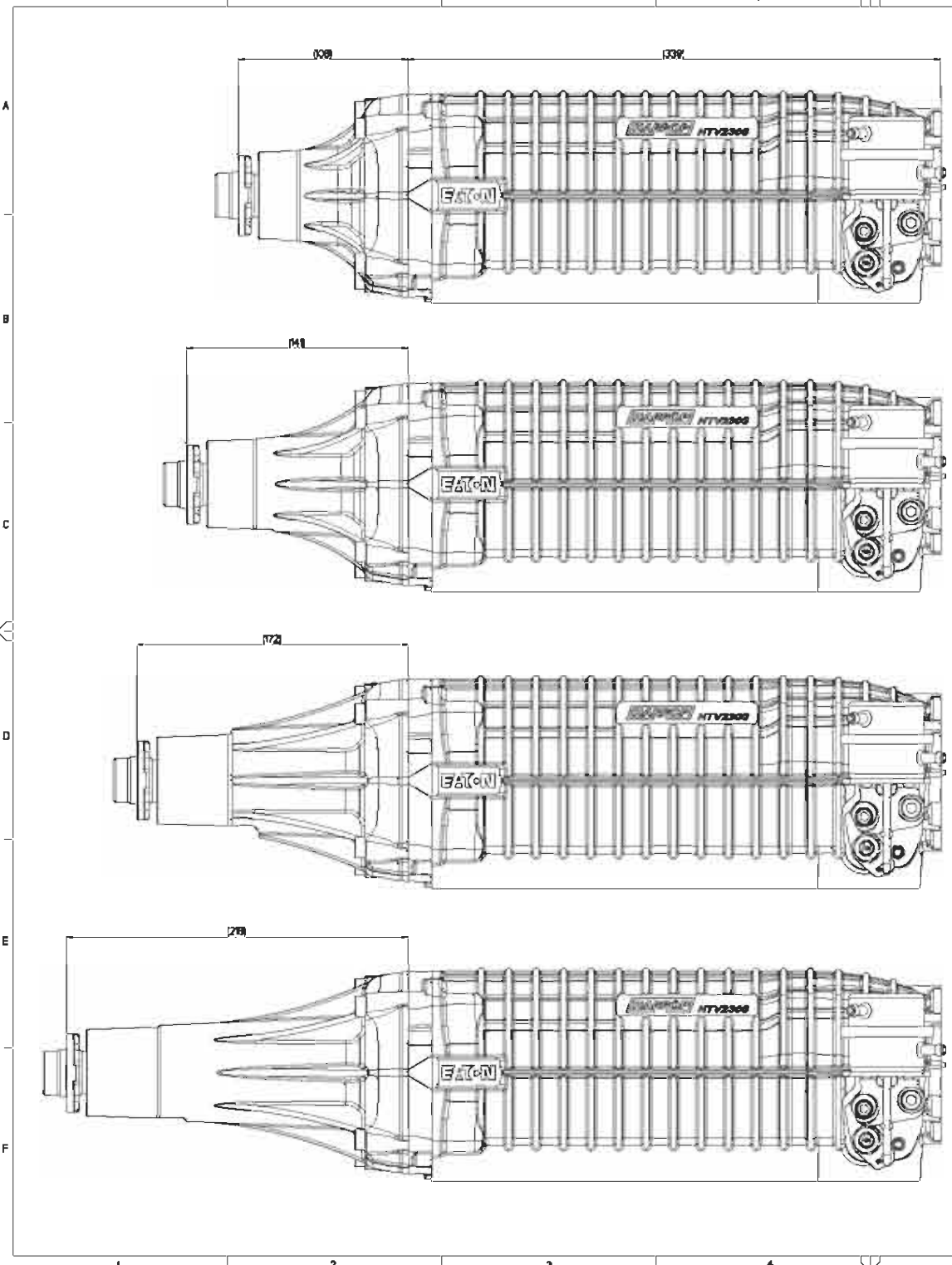


NUMBER	DESCRIPTION	INPUT (mm)	INPUT (in)
AB842	SUPERCHARGER, HTV2300, AXIAL, FACE-MOUNT, VERTICAL ACTUATOR, 107.8mm DRIVE CW	107.8	4.24
AB843	SUPERCHARGER, HTV2300, AXIAL, FACE-MOUNT, VERTICAL ACTUATOR, 107.8mm DRIVE CCW	107.8	4.24
AB844	SUPERCHARGER, HTV2300, AXIAL, FACE-MOUNT, VERTICAL ACTUATOR, 140.9mm DRIVE CW	140.9	5.55
AB845	SUPERCHARGER, HTV2300, AXIAL, FACE-MOUNT, VERTICAL ACTUATOR, 140.9mm DRIVE CCW	140.9	5.55
AB846	SUPERCHARGER, HTV2300, AXIAL, FACE-MOUNT, VERTICAL ACTUATOR, 172.4mm DRIVE CW	172.4	6.79
AB847	SUPERCHARGER, HTV2300, AXIAL, FACE-MOUNT, VERTICAL ACTUATOR, 172.4mm DRIVE CCW	172.4	6.79
AB848	SUPERCHARGER, HTV2300, AXIAL, FACE-MOUNT, VERTICAL ACTUATOR, 217.6mm DRIVE CW	217.6	8.57
AB849	SUPERCHARGER, HTV2300, AXIAL, FACE-MOUNT, VERTICAL ACTUATOR, 217.6mm DRIVE CCW	217.6	8.57
AB850	SUPERCHARGER, HTV2300, AXIAL, LUG-MOUNT, VERTICAL ACTUATOR, 107.8mm DRIVE CW	107.8	4.24
AB851	SUPERCHARGER, HTV2300, AXIAL, LUG-MOUNT, VERTICAL ACTUATOR, 107.8mm DRIVE CCW	107.8	4.24
AB852	SUPERCHARGER, HTV2300, AXIAL, LUG-MOUNT, VERTICAL ACTUATOR, 140.9mm DRIVE CW	140.9	5.55
AB853	SUPERCHARGER, HTV2300, AXIAL, LUG-MOUNT, VERTICAL ACTUATOR, 140.9mm DRIVE CCW	140.9	5.55
AB854	SUPERCHARGER, HTV2300, AXIAL, LUG-MOUNT, VERTICAL ACTUATOR, 172.4mm DRIVE CW	172.4	6.79
AB855	SUPERCHARGER, HTV2300, AXIAL, LUG-MOUNT, VERTICAL ACTUATOR, 172.4mm DRIVE CCW	172.4	6.79
AB856	SUPERCHARGER, HTV2300, AXIAL, LUG-MOUNT, VERTICAL ACTUATOR, 217.6mm DRIVE CW	217.6	8.57
AB857	SUPERCHARGER, HTV2300, AXIAL, LUG-MOUNT, VERTICAL ACTUATOR, 217.6mm DRIVE CCW	217.6	8.57
AB858	SUPERCHARGER, HTV2300, AXIAL, FACE-MOUNT, HORIZONTAL ACTUATOR, 107.8mm DRIVE CW	107.8	4.24
AB859	SUPERCHARGER, HTV2300, AXIAL, FACE-MOUNT, HORIZONTAL ACTUATOR, 107.8mm DRIVE CCW	107.8	4.24
AB860	SUPERCHARGER, HTV2300, AXIAL, FACE-MOUNT, HORIZONTAL ACTUATOR, 140.9mm DRIVE CW	140.9	5.55
AB861	SUPERCHARGER, HTV2300, AXIAL, FACE-MOUNT, HORIZONTAL ACTUATOR, 140.9mm DRIVE CCW	140.9	5.55
AB862	SUPERCHARGER, HTV2300, AXIAL, FACE-MOUNT, HORIZONTAL ACTUATOR, 172.4mm DRIVE CW	172.4	6.79
AB863	SUPERCHARGER, HTV2300, AXIAL, FACE-MOUNT, HORIZONTAL ACTUATOR, 172.4mm DRIVE CCW	172.4	6.79
AB864	SUPERCHARGER, HTV2300, AXIAL, FACE-MOUNT, HORIZONTAL ACTUATOR, 217.6mm DRIVE CW	217.6	8.57
AB865	SUPERCHARGER, HTV2300, AXIAL, FACE-MOUNT, HORIZONTAL ACTUATOR, 217.6mm DRIVE CCW	217.6	8.57
AB866	SUPERCHARGER, HTV2300, AXIAL, LUG-MOUNT, HORIZONTAL ACTUATOR, 107.8mm DRIVE CW	107.8	4.24
AB867	SUPERCHARGER, HTV2300, AXIAL, LUG-MOUNT, HORIZONTAL ACTUATOR, 107.8mm DRIVE CCW	107.8	4.24
AB868	SUPERCHARGER, HTV2300, AXIAL, LUG-MOUNT, HORIZONTAL ACTUATOR, 140.9mm DRIVE CW	140.9	5.55
AB869	SUPERCHARGER, HTV2300, AXIAL, LUG-MOUNT, HORIZONTAL ACTUATOR, 140.9mm DRIVE CCW	140.9	5.55
AB870	SUPERCHARGER, HTV2300, AXIAL, LUG-MOUNT, HORIZONTAL ACTUATOR, 172.4mm DRIVE CW	172.4	6.79
AB871	SUPERCHARGER, HTV2300, AXIAL, LUG-MOUNT, HORIZONTAL ACTUATOR, 172.4mm DRIVE CCW	172.4	6.79
AB872	SUPERCHARGER, HTV2300, AXIAL, LUG-MOUNT, HORIZONTAL ACTUATOR, 217.6mm DRIVE CW	217.6	8.57
AB873	SUPERCHARGER, HTV2300, AXIAL, LUG-MOUNT, HORIZONTAL ACTUATOR, 217.6mm DRIVE CCW	217.6	8.57



FOR PRODUCTION

REVISIONS

NO.	DATE	BY	CHK	DATE
1				

HARROP
 engineering

HARROP ENGINEERING
 AUSTRALIA PTY LTD
 ON BELL ST
 PRESTON, VIC 3072
 VICTORIA, AUSTRALIA
 Ph: (03) 9474-0000
 Fax: (03) 9474-0000

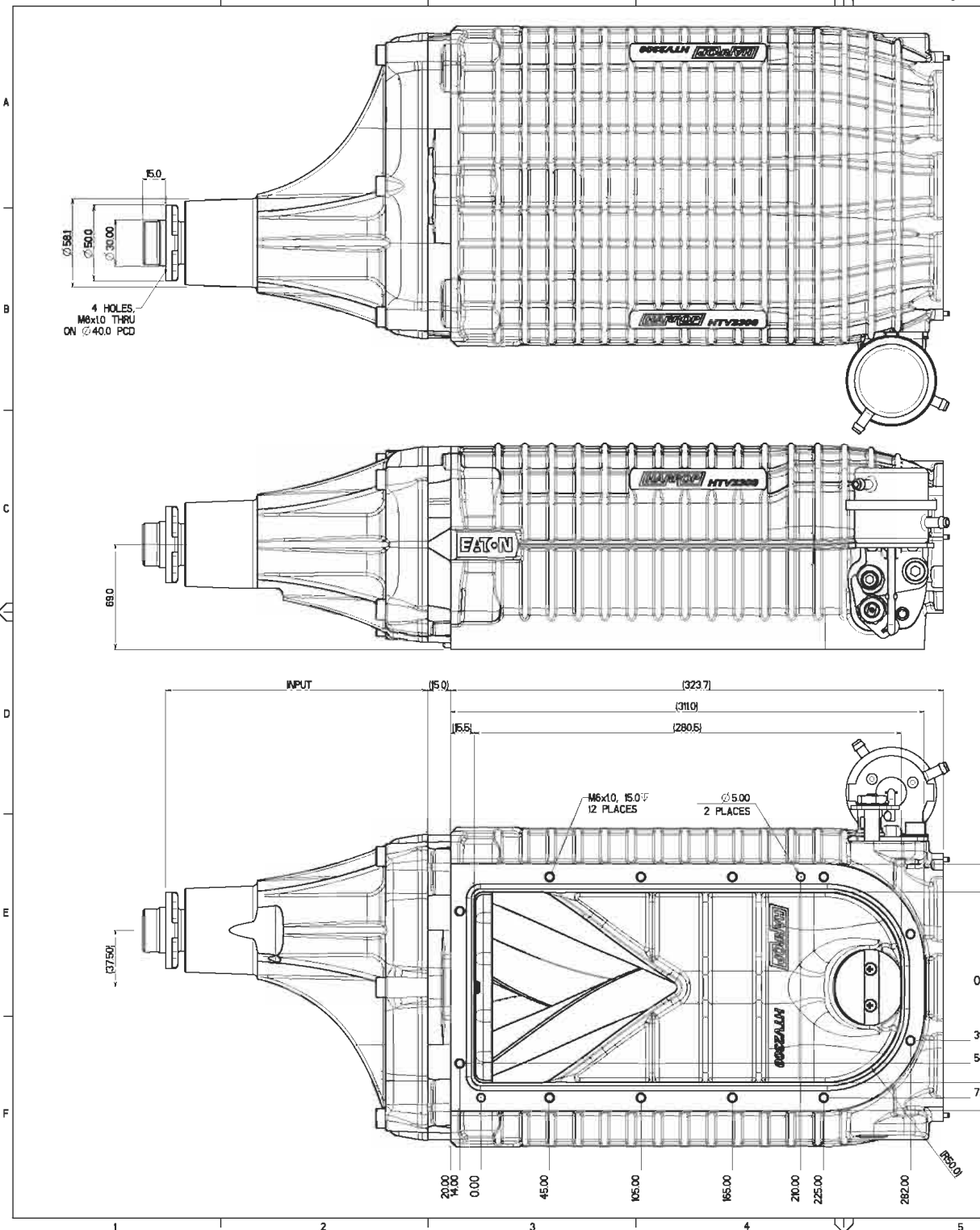
COPIED-1 APPLIES
 Reproduction of this drawing
 or any part thereof
 without the written
 consent of the author
 is prohibited and may
 be subject to legal
 action.

UNSTATED TOLERANCES
 1:100 AA ±0.25
 1:50 ±0.25
 1:25 ±0.25
 1:10 ±0.25

SUPERCHARGERS, HTV2300, AXIAL, VARIANTS, LAYOUT
 FULL METRIC SPECIFICATIONS REFER TO THE DRAWING
 PRELIMINARY DRAWING DATA APPLICABLE
 MATERIAL REFER TABLE
 FINISH REFER TABLE
 SCALE DIM ON A2
 SHEET 1 OF 1

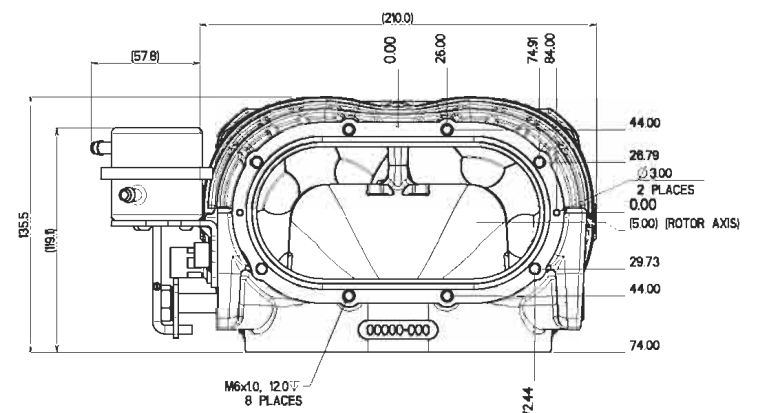
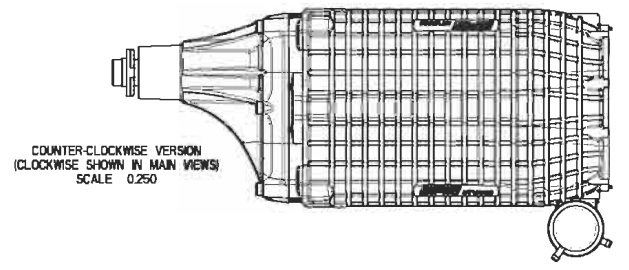
REMOVE ALL SHARP EDGES AND
 SURFS UNLESS OTHERWISE STATED
 ALL INTERNAL DIMENSIONS TO BE
 TO B UNLESS OTHERWISE STATED
 MASS - kg, Vol - cc

DRAWING
AB884-00



INLET FLANGE O-RING: A5/BS159
 OUTLET FACE O-RING: A5/BS178

NUMBER	DESCRIPTION	INPUT AMP	OUTPUT (PSI)
A8842	SUPERCHARGER, HTV2300, AXIAL, FACE MOUNT, VERTICAL ACTUATOR, 107.8mm DRIVE, CW	107.8	4.24
A8843	SUPERCHARGER, HTV2300, AXIAL, FACE MOUNT, VERTICAL ACTUATOR, 107.8mm DRIVE, CCW	107.8	4.24
A8844	SUPERCHARGER, HTV2300, AXIAL, FACE MOUNT, VERTICAL ACTUATOR, 140.9mm DRIVE, CW	140.9	5.55
A8845	SUPERCHARGER, HTV2300, AXIAL, FACE MOUNT, VERTICAL ACTUATOR, 140.9mm DRIVE, CCW	140.9	5.55
A8846	SUPERCHARGER, HTV2300, AXIAL, FACE MOUNT, VERTICAL ACTUATOR, 172.4mm DRIVE, CW	172.4	6.70
A8847	SUPERCHARGER, HTV2300, AXIAL, FACE MOUNT, VERTICAL ACTUATOR, 172.4mm DRIVE, CCW	172.4	6.70
A8848	SUPERCHARGER, HTV2300, AXIAL, FACE MOUNT, VERTICAL ACTUATOR, 217.6mm DRIVE, CW	217.6	8.57
A8849	SUPERCHARGER, HTV2300, AXIAL, FACE MOUNT, VERTICAL ACTUATOR, 217.6mm DRIVE, CCW	217.6	8.57

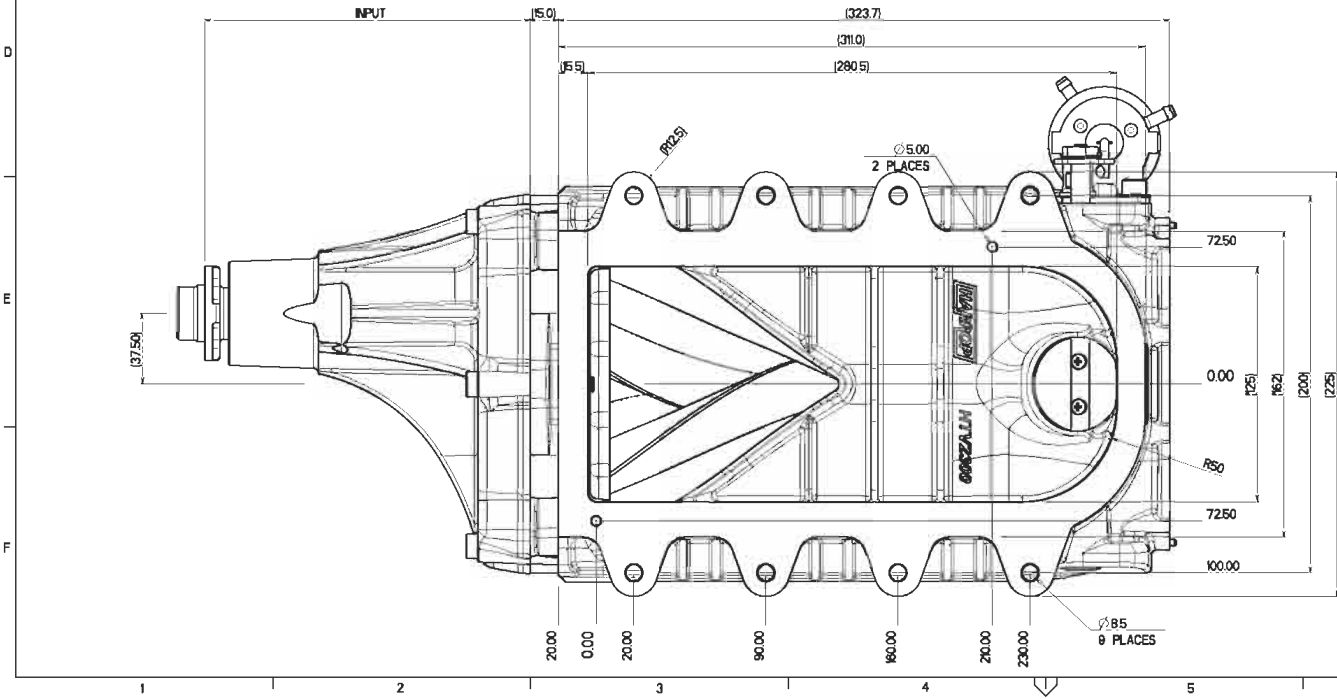
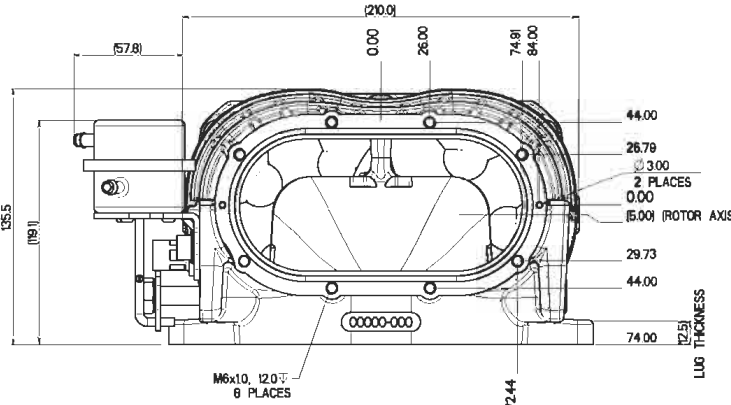
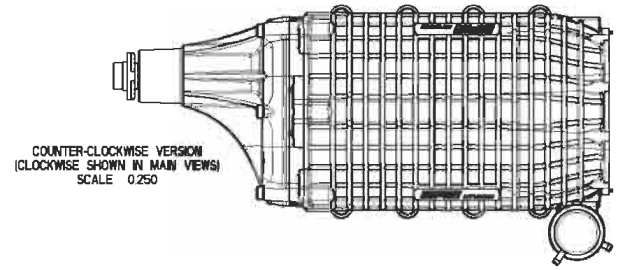
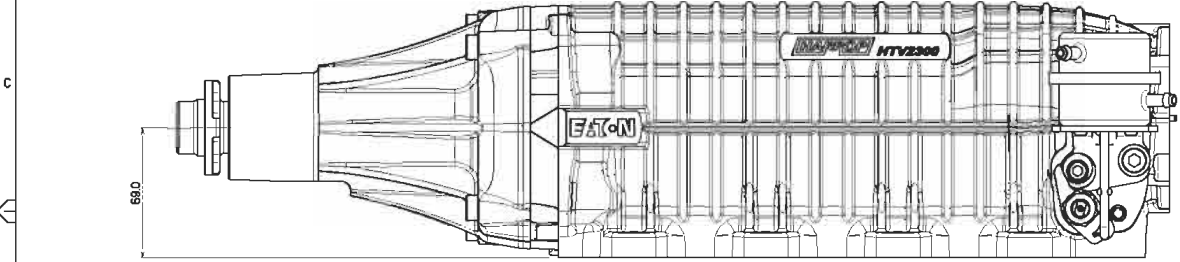
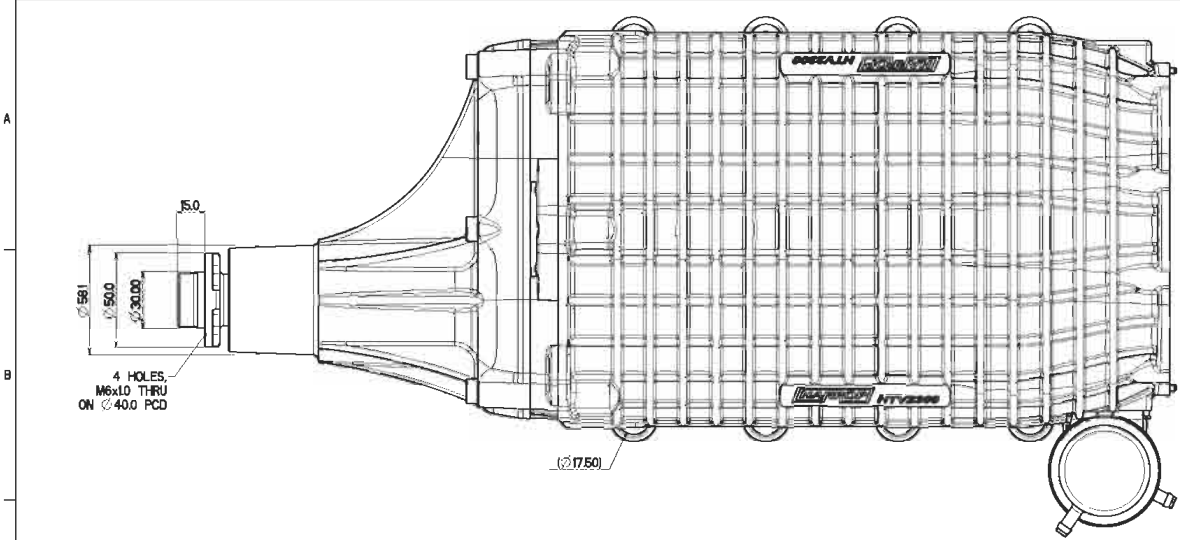


REMOVE ALL SHARP EDGES AND
 BURRS UNLESS OTHERWISE STATED
 ALL INTERNAL CORNERS TO BE
 R0.8 UNLESS OTHERWISE STATED

ISSUE	ECN #	SYM	FOR PRODUCTION	REVISIONS	OWN	DATE	CHK	DATE	UNSTATED TOLERANCES
				HARROP ENGINEERING AUSTRALIA PTY. LTD. 96 BELL ST PRESTON, 3072 VICTORIA, AUSTRALIA Ph: (613) 9474-0900 Fax: (613) 9474-0998		05-Jan-07			COPYRIGHT APPLIES to all drawings for any specific design. Material is not guaranteed without written approval. Commercial Seal/contaminants not allowed and rejected.
LINEAR: 0 ± 0.25 ANGULAR: 0.05 ± 0.05 HOLE DIA: 0.05 ± 0.05									
FILE: harrop superchargers HTV2300 SCHRCR HTV23A VARIANTS A8884 DRAWING: SUPERCHARGERS, HTV2300, AXIAL, VARIANTS, LAYOUT MATERIAL: REFER TABLE TYPICAL: REFER TABLE SCALE: D50 SW A2 SHEET 2 OF 5									

NUMBER	DESCRIPTION	INPUT (mm)	INPUT (in)
A8880	SUPERCHARGER HTV2300 AXIAL LUG-MOUNT VERTICAL ACTUATOR 187 8mm DRIVE C.C.W.	187.8	4.24
A8881	SUPERCHARGER HTV2300 AXIAL LUG-MOUNT VERTICAL ACTUATOR 197 8mm DRIVE C.C.W.	197.8	4.24
A8882	SUPERCHARGER HTV2300 AXIAL LUG-MOUNT VERTICAL ACTUATOR 148 3mm DRIVE C.C.W.	148.9	5.85
A8883	SUPERCHARGER HTV2300 AXIAL LUG-MOUNT VERTICAL ACTUATOR 148 3mm DRIVE C.C.W.	148.8	5.85
A8884	SUPERCHARGER HTV2300 AXIAL LUG-MOUNT VERTICAL ACTUATOR 172 4mm DRIVE C.W.	172.4	6.79
A8885	SUPERCHARGER HTV2300 AXIAL LUG-MOUNT VERTICAL ACTUATOR 172 4mm DRIVE C.C.W.	172.4	6.79
A8886	SUPERCHARGER HTV2300 AXIAL LUG-MOUNT VERTICAL ACTUATOR 217 8mm DRIVE C.W.	217.8	8.57
A8887	SUPERCHARGER HTV2300 AXIAL LUG-MOUNT VERTICAL ACTUATOR 217 8mm DRIVE C.C.W.	217.8	8.57

INLET FLANGE O-RING: AS/BS159



REMOVE ALL SHARP EDGES AND BURRS UNLESS OTHERWISE STATED
ALL INTERNAL CORNERS TO BE R0.8 UNLESS OTHERWISE STATED

MASS : kg (Est. S.G.)

ISSUE	ECN #	SIM	FOR PRODUCTION	REVISIONS	KN	DATE	CHK	DATE
0						06-Nov-07		

HARROP ENGINEERING
AUSTRALIA PTY. LTD.
98 BELL ST
PRESTON, 3072
VICTORIA, AUSTRALIA
Ph: (413) 9474-0900
Fax: (413) 9474-0998

COPYRIGHT APPLIES
Reproduction of this drawing
in any form or by any means
without written permission
is strictly prohibited.
Copyright Confirmed
To be issued and revised

UNSTATED TOLERANCES
LINEAR: 0.0 ± 0.13
ANGULAR: 0.00 ± 0.05
RADIUS: 0.00 ± 0.25

HARROP engineering

SUPERCHARGERS, HTV2300, AXIAL, VARIANTS, LAYOUT

FILE: Harrop superchargers\HTV2300 SCHRO HTV230A VARIANTS A8884.DWG

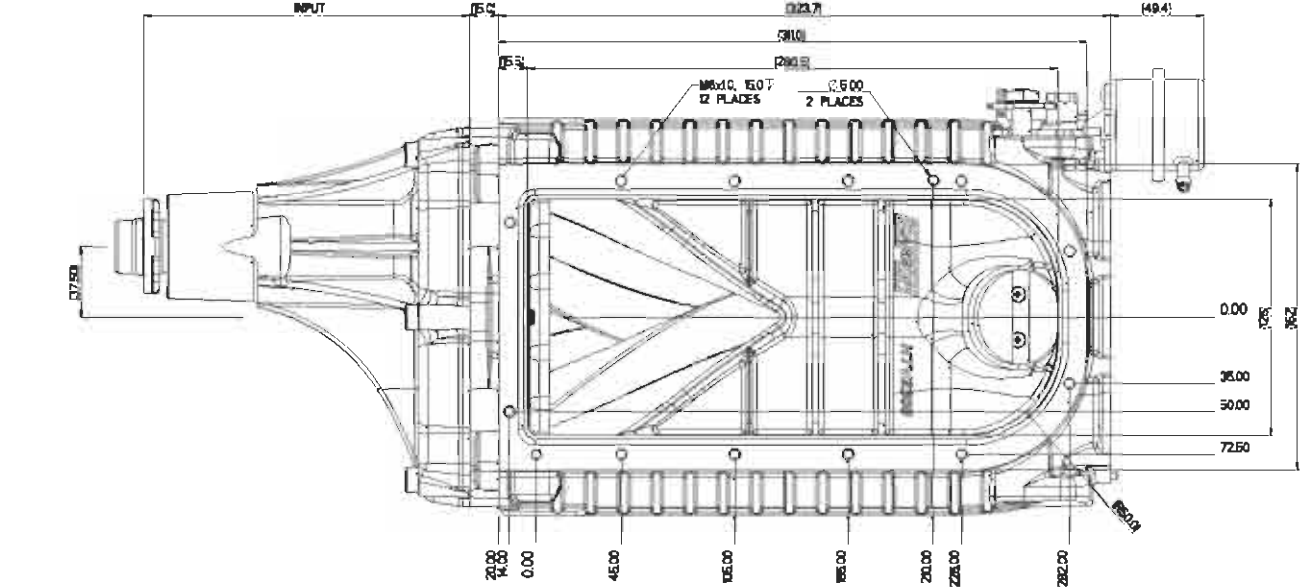
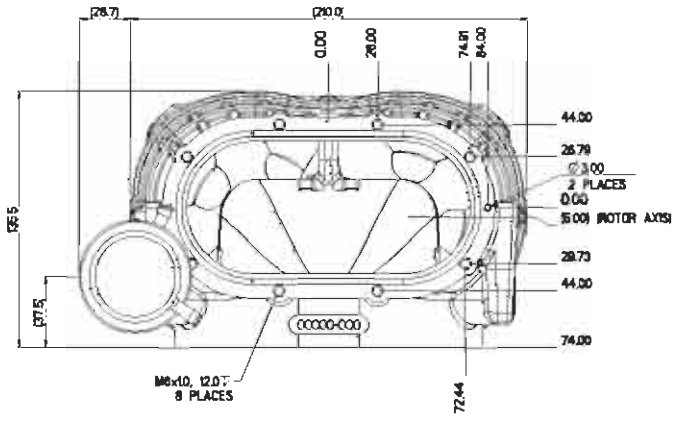
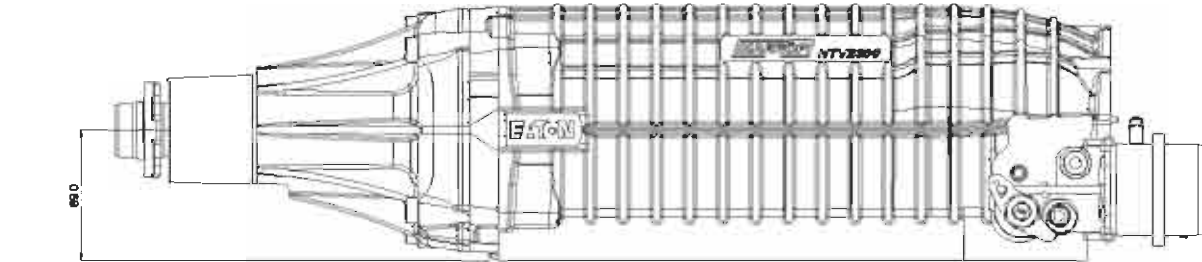
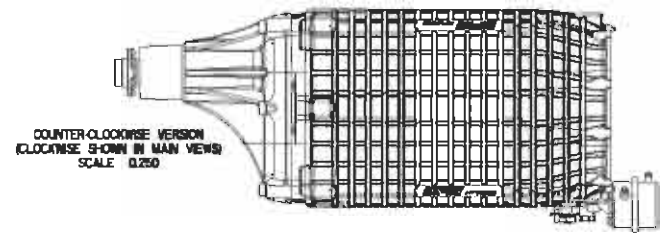
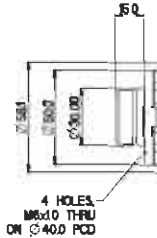
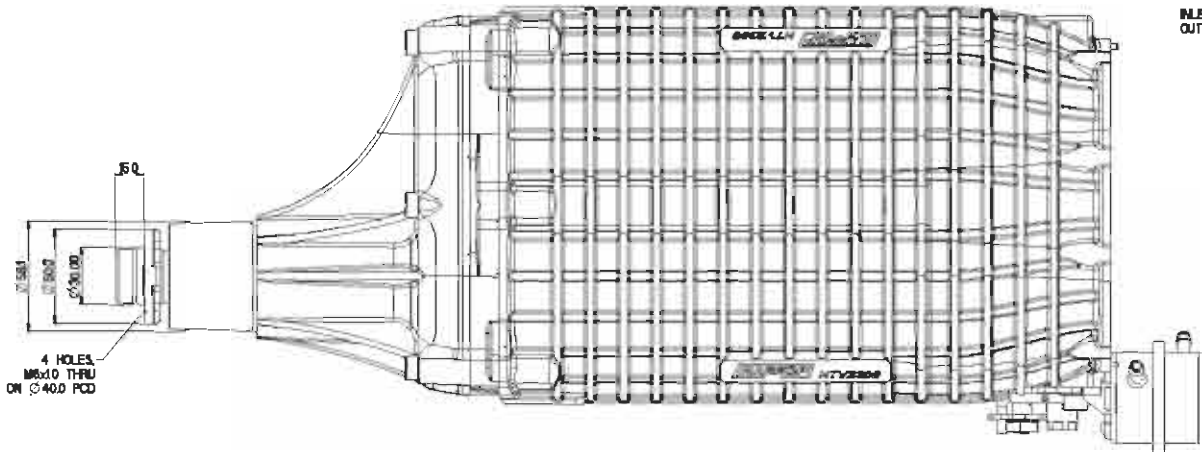
MATERIAL REFER TABLE
FINISH REFER TABLE

SCALE 0.50 DS A2 SHEET 3 OF 5

A8884-00

ITEM	DESCRIPTION	QTY	UNIT
4881	SUPERCHARGER HTV2300 AXIAL FACE MOUNT HORIZONTAL ACTUATOR 107mm DRIVE COV	1	EA
4882	SUPERCHARGER HTV2300 AXIAL FACE MOUNT HORIZONTAL ACTUATOR 107mm DRIVE ACTN	1	EA
4883	SUPERCHARGER HTV2300 AXIAL FACE MOUNT HORIZONTAL ACTUATOR 140mm DRIVE COV	1	EA
4884	SUPERCHARGER HTV2300 AXIAL FACE MOUNT HORIZONTAL ACTUATOR 140mm DRIVE COV	1	EA
4885	SUPERCHARGER HTV2300 AXIAL FACE MOUNT HORIZONTAL ACTUATOR 112mm DRIVE COV	1	EA
4886	SUPERCHARGER HTV2300 AXIAL FACE MOUNT HORIZONTAL ACTUATOR 112mm DRIVE COV	1	EA
4887	SUPERCHARGER HTV2300 AXIAL FACE MOUNT HORIZONTAL ACTUATOR 217mm DRIVE COV	1	EA
4888	SUPERCHARGER HTV2300 AXIAL FACE MOUNT HORIZONTAL ACTUATOR 217mm DRIVE COV	1	EA

INLET FLANGE O-RING: AS/BS159
 OUTLET FACE O-RING: AS/BS178



REMOVE ALL SHARP EDGES AND BURRS UNLESS OTHERWISE STATED
 ALL INTERNAL CORNERS TO BE R0.5 UNLESS OTHERWISE STATED

NO.	REV.	DATE	BY	CHK.	APP.
1	1	15-Jun-07			

FOR PRODUCTION

HARROP engineering

HARROP ENGINEERING
 AUSTRALIA PTY. LTD.
 88 BELL ST
 PRESTON 3072
 VICTORIA AUSTRALIA
 Ph: (03) 9474-0800
 Fax: (03) 9474-0668

COPYRIGHT APPLIES
 No reproduction or use of this drawing or any part thereof is permitted without the written consent of Harrop Engineering Pty Ltd.

UNSTATED TOLERANCES
 LINEAR 0.00 ± 0.25
 ANGULAR 0.5 ± 0.25

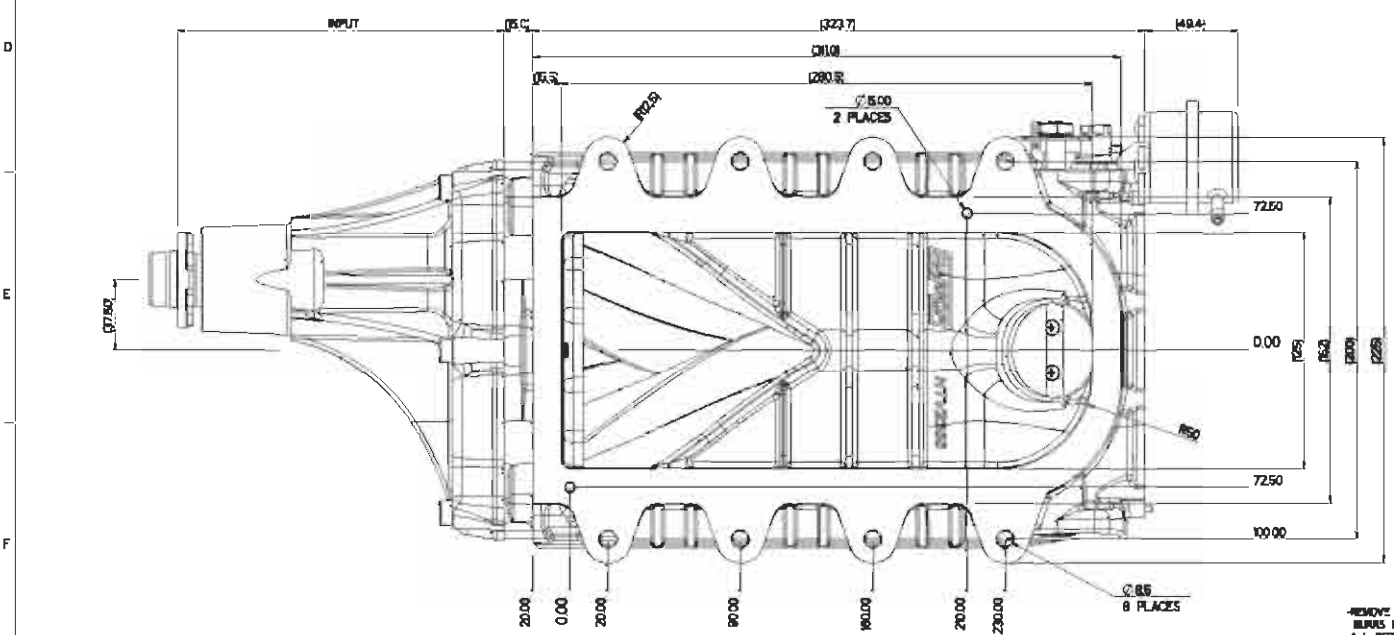
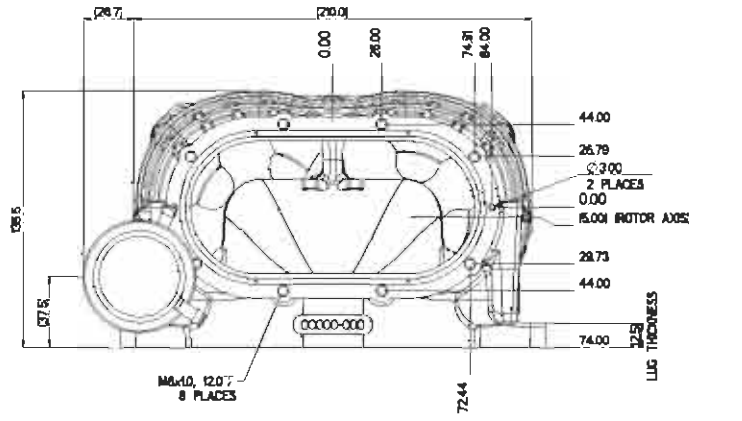
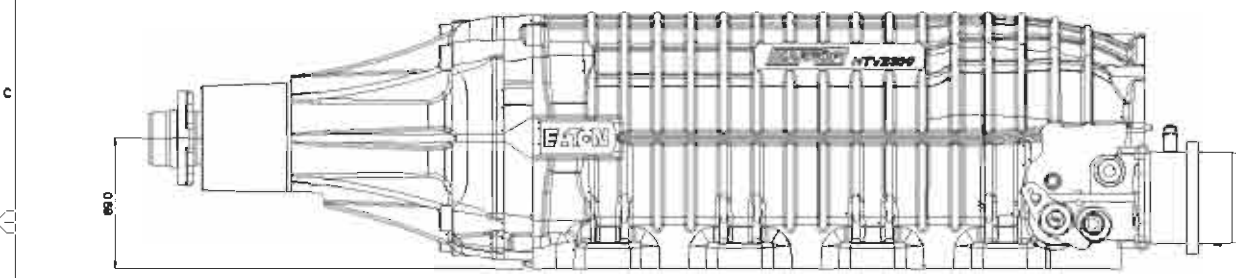
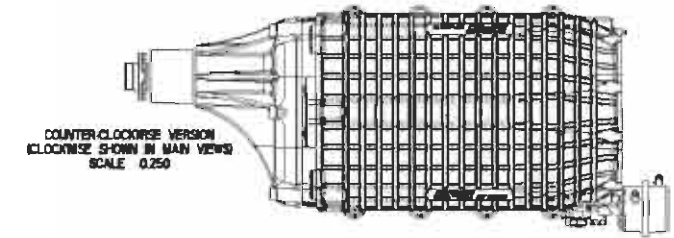
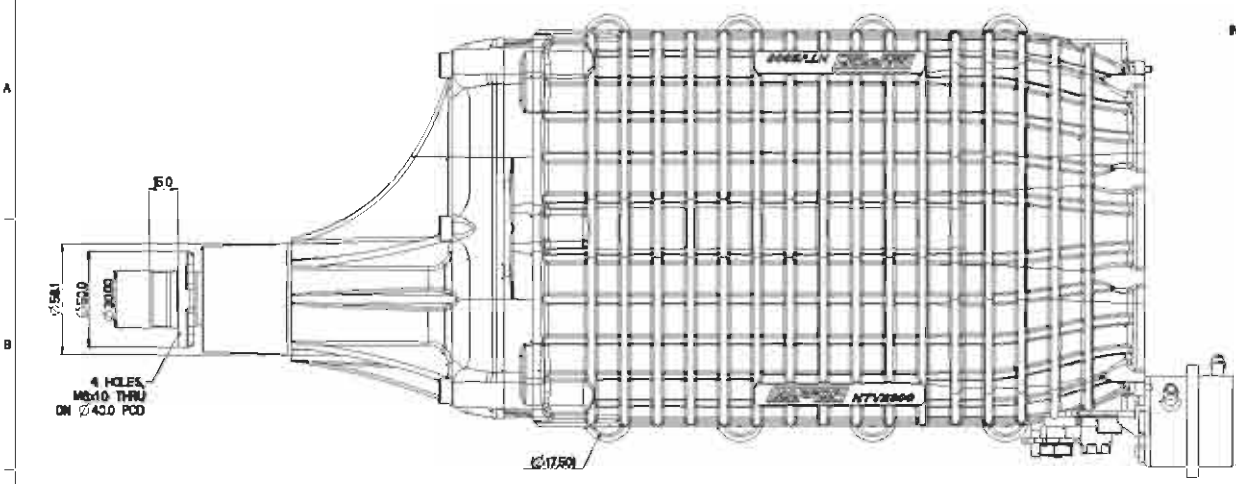
SUPERCHARGERS, HTV2300, AXIAL, VARIANTS, LAYOUT

SCALE: 0.250 ON A2

A8884-00

SIZE	DESCRIPTION	UNIT PRICE	QTY
A400	SUPERCHARGER HTV200 400 LUG MOUNT HORIZONTAL ACTUATOR 107.0mm DRIVE COV	167.5	4.24
A405	SUPERCHARGER HTV200 400 LUG MOUNT HORIZONTAL ACTUATOR 107.0mm DRIVE COV	167.5	4.24
A410	SUPERCHARGER HTV200 400 LUG MOUNT HORIZONTAL ACTUATOR 140.0mm DRIVE COV	167.5	4.24
A415	SUPERCHARGER HTV200 400 LUG MOUNT HORIZONTAL ACTUATOR 140.0mm DRIVE COV	167.5	4.24
A420	SUPERCHARGER HTV200 400 LUG MOUNT HORIZONTAL ACTUATOR 172.4mm DRIVE COV	172.4	4.24
A425	SUPERCHARGER HTV200 400 LUG MOUNT HORIZONTAL ACTUATOR 172.4mm DRIVE COV	172.4	4.24
A430	SUPERCHARGER HTV200 400 LUG MOUNT HORIZONTAL ACTUATOR 217.0mm DRIVE COV	217.0	4.24
A435	SUPERCHARGER HTV200 400 LUG MOUNT HORIZONTAL ACTUATOR 217.0mm DRIVE COV	217.0	4.24

INLET FLANGE O-RING AS/BS169



REMOVE ALL SHARP EDGES AND BLURS UNLESS OTHERWISE STATED
 ALL INTERNAL CORNERS TO BE R0.5 UNLESS OTHERWISE STATED
 MASS: 6.8 (1.2)

FOR PRODUCTION		DATE	15-Jun-07
DESIGNER	REV	DATE	CHK
		COPYRIGHT APPLIES UNLESS OTHERWISE STATED IN LINEAR 0.00 ± 0.25 ANGULAR 0.10 ± 0.10 HOLE 0.00 ± 0.10	
HARROP ENGINEERING AUSTRALIA PT. L73 18 BELL ST PRESTON 3072 VICTORIA AUSTRALIA Ph: (03) 9474-0000 Fax: (03) 9474-0668		SUPERCHARGERS, HTV200, AXIAL, VARIANTS, LAYOUT PRINTED FROM DIGITAL DATA ARCHIVE SCALE: 0.50 ON A2 SHEET 5 OF 6	
HARROP engineering		A8884-00	